



# *Signal*® Mirror Installation Instructions

Hummer H2 (2003 - 2006)



***THE safety accessory of the 21<sup>st</sup> Century.***™

### **INCLUDED ITEMS:**

- 1 left hand *Signal*<sup>®</sup> mirror
- 1 right hand *Signal*<sup>®</sup> mirror
- 1 left hand wire harness
- 1 right hand wire harness
- 1 instruction manual
- 2 wire tap (Red)
- 1 Crimp Ring (Yellow)

### **REQUIRED TOOLS:**

Ratchet with extension or ratcheting  
Screwdriver  
Metric socket-set  
Small slotted screwdriver  
Medium Philips screwdriver  
Needle nose pliers  
Small pry bar  
Gopher wire  
Electrical tape  
Wire crimper and stripper  
Multimeter or wire tester  
Sturdy gloves  
Safety glasses or goggles

**Please read instructions prior to installation.**

### **PROBLEMS OR QUESTIONS?**

Technical Assistance is available by calling  
Muth Mirror Systems Technicians at:

1-800-844-6616

Monday through Friday  
Between 8:00 a.m. and 5:00 p.m. CST

Or through the Muth web site:

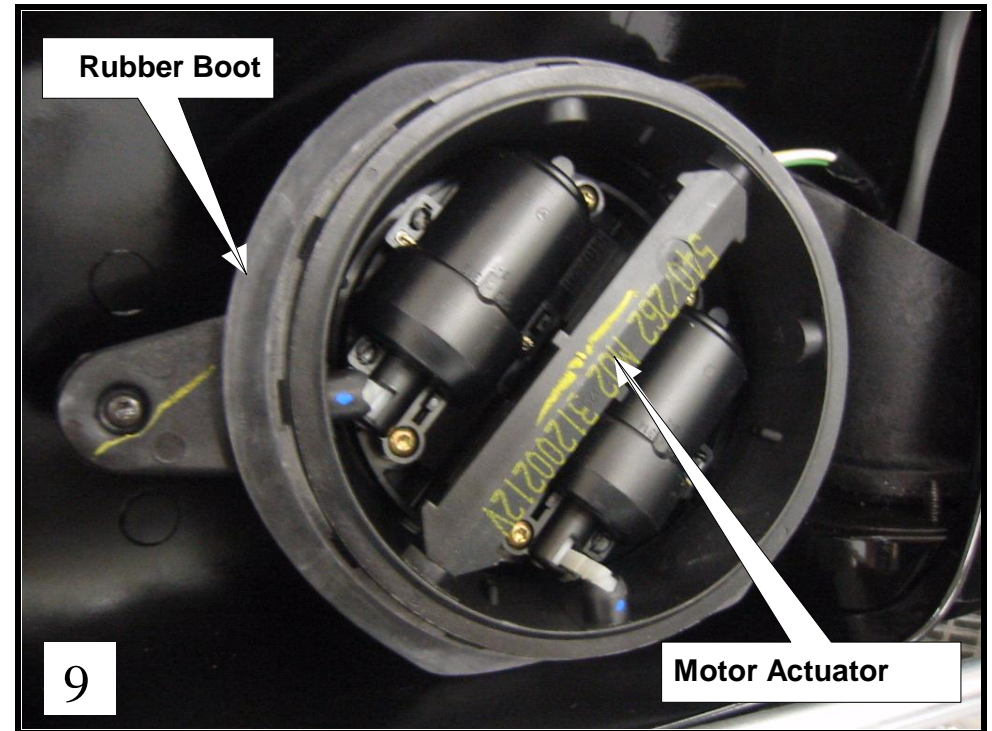
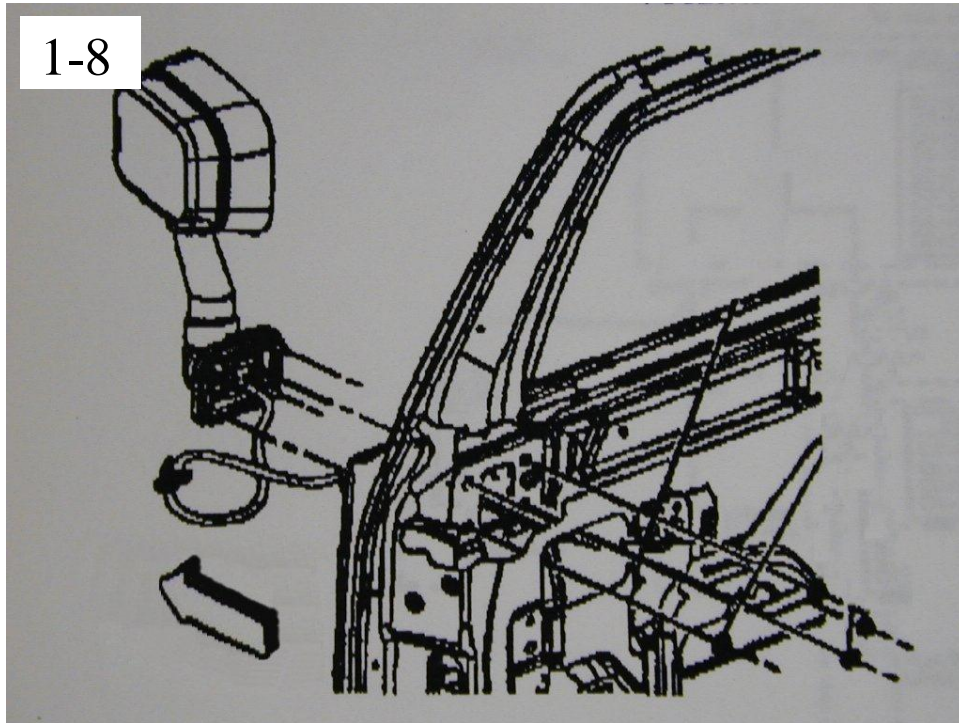
[www.muthco.com](http://www.muthco.com)

Or via E-mail: [techsupport@muthco.com](mailto:techsupport@muthco.com)

## **Note: Professional Installation Recommended**

Warranty does not cover damage to the vehicle or mirror housing due to improper installation. The following installation instructions are to be considered as a guide only. Indicator wire color and location may have changed since publication of these instructions. The installer is responsible for any damage that may occur during installation.

# Mirror Removal

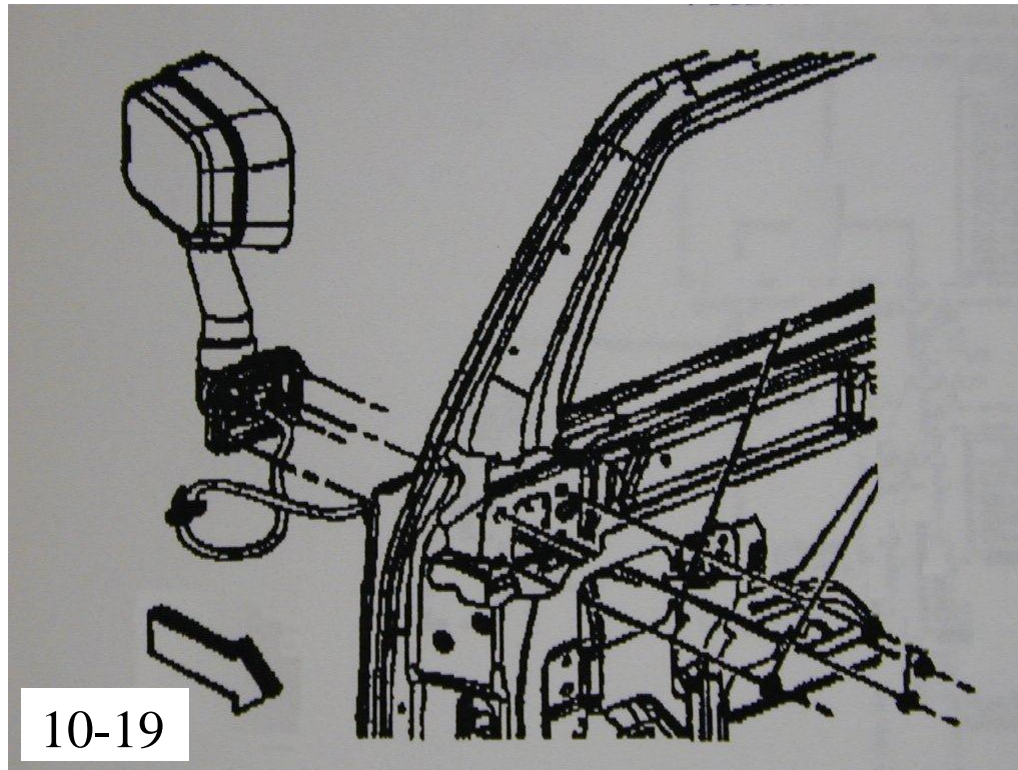


1. Remove door trim panel.
2. Disconnect electrical connectors at door panel.
3. Remove the water deflector.
4. Remove fasteners retaining the mirror to the door.
5. Remove the mirror from the vehicle.

**\*\* Safety glasses and sturdy gloves are recommended for the following steps.\*\***

6. Place the mirror housing on a, cloth cover, level surface. Push on the outer edge of the mirror glass to pivot outward so a small pry bar can be inserted under its inner edge. Apply gentle pressure with the pry bar until the mirror backing plate begins to unsnap from the motor.
7. Move the pry bar around the mirror glass and pry again until the mirror backing plate further unsnaps from the motor. Remove mirror glass from motor. Some force may be required to free the remaining snaps. If mirror does not come free. Additional prying around the edges may be necessary.
8. Disconnect heating element wires from mirror glass and remove mirror.
9. For both driver and passenger side mirrors, remove the rubber boot around the motor actuator PRIOR to installing the *Signal*<sup>®</sup> mirror into the mirror housing. **NOTE: Permanent removal of rubber boot, by pulling it over the motor, is required for this application and will not negatively affect operation or durability, per the mirror motor manufacturer.**

## Mirror Replacement

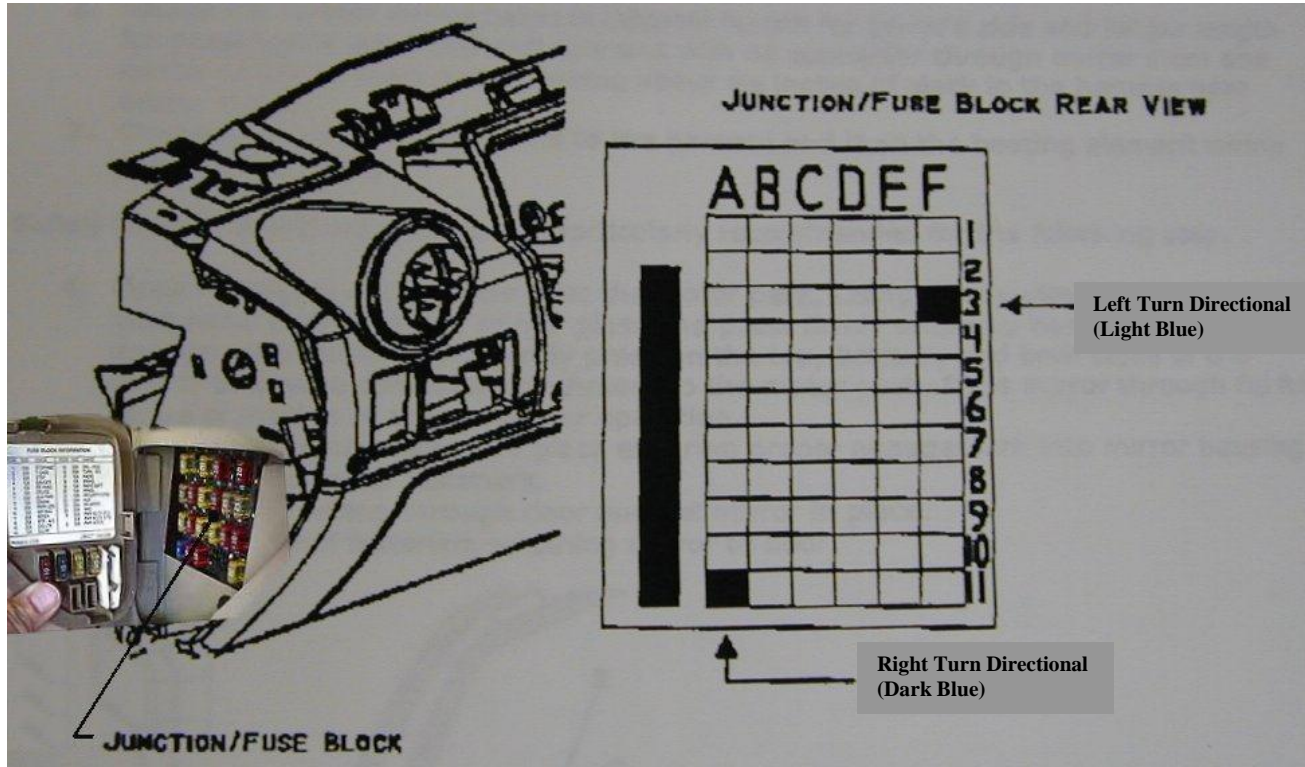


10. Remove two fasteners retaining mirror pivot motor to mirror housing and slide motor down harness to gain access for harness routing.
11. Locate the correct mirror harness (shorter length for driver's side and longer length for passenger's side) and slide the end with no connector through mirror stem and center of mirror pivot motor leaving about six inches of slack in the harness near mirror motor.
12. Connect the *Signal*<sup>®</sup> mirror leads to the harness and then the heating element wiring to the heater terminals on the back of the *Signal*<sup>®</sup> mirror glass.

**\*\* Safety glasses and sturdy gloves are recommended for the following steps.\*\***

13. Place the *Signal*<sup>®</sup> mirror glass over the motor pack. Wearing sturdy gloves, place palm of your hand over center of *Signal*<sup>®</sup> mirror glass and press firmly until you hear the snaps engage onto motor pack. Gently press on the top, bottom, and both sides of the mirror to ensure complete attachment to the motor pack. Pivot mirror through its full range of motion to ensure proper operation.
14. Slide mirror pivot motor into place ensuring proper engagement into mirror housing and replace original fasteners.
15. Route mirror wiring through door and set mirror in place.
16. Replace original fasteners retaining mirror to door.
17. Pass *Signal*<sup>®</sup> mirror harness through the rubber boot between the door and vehicle.
18. Route the *Signal*<sup>®</sup> mirror wire harness to back side of the instrument panel fuse block located at the lower left corner of the instrument panel, behind the knee bolster trim panel.
19. Repeat step 1 thru 17 for the passenger's side mirror replacement.

# Mirror Wiring



20. Turn ignition key to the "ON" position, and activate left turn indicator.
21. Using multi-meter, probe left turn indicator wire (**F-3, light blue**) at junction block to verify that flashing turn indicator power is present.
22. Activate right turn indicator.
23. Using multi-meter, probe right turn indicator wire (**A-11, dark blue**) at junction block to verify that flashing turn indicator power is present.
24. Using supplied quick splice connectors, attach respective left and right *Signal*® mirror **BLACK WITH RED TRACE** wire to proper location.
25. Using supplied ring terminal, twist left and right *Signal*® mirror black wires together, crimp and secure to ground source.
26. Activate each turn indicator to verify proper operation and illumination of the *Signal*® mirror.
27. Replace water deflector.
28. Connect electrical connectors at door panel.
29. Replace door panel.

**PROFESSIONAL INSTALLATION RECOMMENDED**

**Warranty does not cover damage to vehicle or mirror housing due to improper installation. Muth Mirror Systems, LLC (MMS) assumes no responsibility with regard to the accuracy of this information. MMS assumes no liability or responsibility resulting from improper installation, even in reliance upon this information. Proper installation is the responsibility of the installer. It is your responsibility to verify any circuit before interfacing with it using a digital multimeter.**

**WARRANTY STATEMENT**

*The Signal® Mirror is warranted to be free from defects in materials and workmanship for a period of three years or 36,000 miles (whichever comes first) from date of sale to original purchaser. This warranty excludes labor, broken glass, or other situations that cause harm to the product after it has been shipped from the factory, such as damage, unreasonable use, modifications, or alterations. In the event of a defect, Muth reserves the right to evaluate the problem through Quality Control and, at Muth's discretion, replace the defective product. Any warranty or replacement part will be charged to the customer when shipped. Credit will be given when the defective part is returned to and received by Muth, and the replacement is warranted.*

**Muth products are protected by these, and other pending, United States Patents: 6,076,948; 6,257,746; 7,104,676; 7,327,321; 6,749,325; 7,241,037; 7,192,172; 7,273,307; 7,416,318; 6,045,243; D394,833; D409,540; D428,373; D426,506; D430,088; D426,507; D428,372; D429,202; D428,842; D425,466; D427,128**