



Signal[®] Mirror Installation Instructions

Chevy Silverado/GMC Sierra 2014-2018



THE safety accessory of the 21st Century.[™]

Note: Professional Installation Recommended

Warranty does not cover damage to the vehicle or mirror housing due to improper installation. The following installation instructions are to be considered as a guide only. Door removal procedures, indicator wire color and location may have changed since publication of these instructions. The installer is responsible for any damage that may occur during installation.

INCLUDED ITEMS:

- 1 left and 1 right *Signal*® mirror
- 1 left and 1 right wire harness
- 1 instruction manual

REQUIRED TOOLS:

- Phillips head screwdriver
- Sturdy gloves
- Safety glasses or goggles

Please read instructions prior to installation.

PROBLEMS OR QUESTIONS?

Technical Assistance is available by calling
Muth Mirror Systems Technicians at:

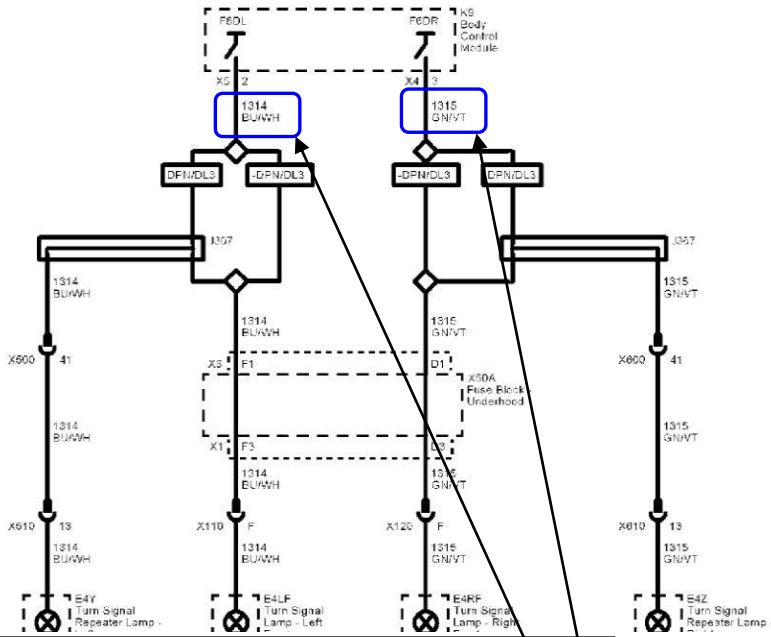
1-800-844-6616

Monday through Friday
Between 8:00 a.m. and 5:00 p.m. CST

Or through the Muth web site: www.muthco.com

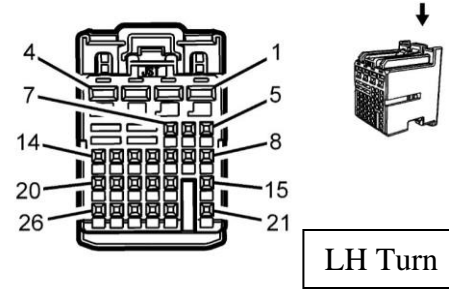
Or via E-mail: techsupport@muthco.com

Wiring:



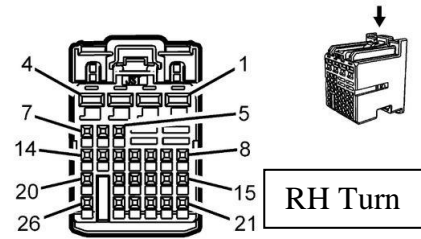
LH = Blue with White Striped Wire
 RH = Green with Violet Striped Wire
 Location: BCM (Body Control Module)

K9 Body Control Module X5

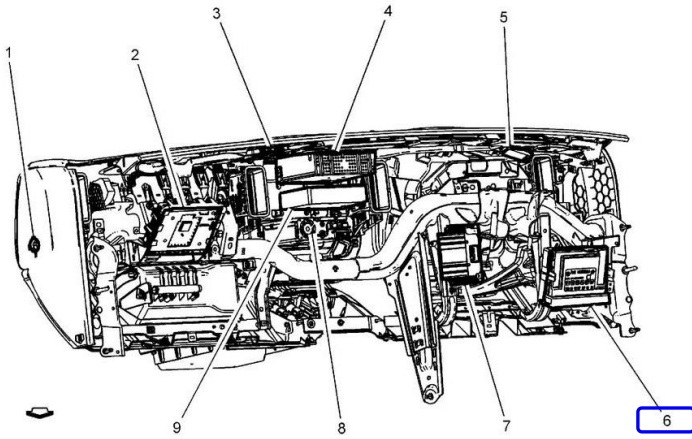


Pin	Size	Color	Circuit	Function	Terminal Type ID	Option
1-1	1-0.5	1-YE/D-BU	1-18	1- Left Rear Stop/Turn Lamp Supply Voltage	1-1	1--
2-2	2-0.75	2-D-BU/WH	2-1314	2- Left Front Turn Signal Lamp Supply Voltage	2-1	2--
3-3	3-0.75	3-RD/L-GN	3-5140	3- Battery Positive Voltage	3-1	3--

K9 Body Control Module X4

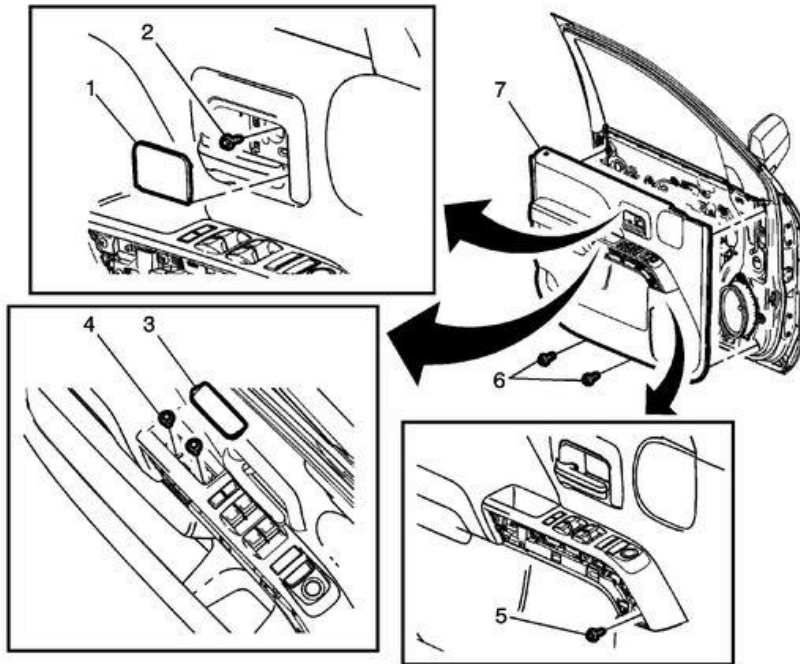


Pin	Size	Color	Circuit	Function	Terminal Type ID	Option
1-1	1-0.75	1-YE	1-712	1- Left Headlamp Low Beam Supply Voltage	1-1	1--
1-1	1-0.75	1-GY/D-BU	1-7538	1- Left Front DRL Supply Voltage	1-1	1-
2-0.75	2-0.75	2-YE	2-312	2- Right Headlamp Low Beam Supply Voltage	2-1	2--
2-0.75	2-0.75	2-D-BU/BN	2-7539	2- Right Front DRL Supply Voltage	2-1	2-
3-3	3-0.75	3-L-GN/VT	3-1315	3- Right Front Turn Signal Lamp Supply Voltage	3-1	3--



- 1 - S40 Passenger Air Bag Disable Switch
- 2 - K74 Human Machine Interface Control Module
K74 Human Machine Interface Control Module X1 K74 Human Machine Interface Control Module X2
- 3 - T4P Navigation Antenna
T4P Navigation Antenna
- 4 - A11 Radio
A11 Radio X2 A11 Radio X1 A11 Radio X3
- 5 - P43 Collision Alert Indicators (Y65)
P43 Collision Alert Indicators
- 6 - K9 Body Control Module
K9 Body Control Module X1 K9 Body Control Module X2 K9 Body Control Module X3 K9 Body Control Module X4 K9 Body Control Module X5 K9 Body Control Module X6 K9 Body Control Module X7
- 7 - T1 Accessory DC/AC Power Inverter (KI4)
T1 Accessory DC/AC Power Inverter Module
- 8 - A33 Media Disc Player
A33 Media Disc Player X1 (TG5) A33 Media Disc Player X1 (U42)
- 9 - K73 Telematics Communication Interface Control Module
K73 Telematics Communication Interface Control Module X1 K73 Telematics Communication Interface Control Module X2

Door Panel removal:



Front Side Door Trim Replacement

Callout	Component Name
Preliminary Procedure	
Remove the front side door armrest cover trim. Refer to Front Side Door Armrest Cover Trim Replacement.	
1	Front Side Door Inside Handle Bolt Finish Cap
2	Front Side Door Inside Handle Fastener Caution: Refer to Fastener Caution.
3	Front Side Door Armrest Pull Cup Bolt Cap
4	Front Side Door Armrest Pull Cup Fastener (Qty: 2)
5	Front Side Door Trim Bracket Fastener
6	Front Side Door Trim Panel Fastener (Qty: 2)
7	Front Side Door Trim Assembly Procedure 1. Use the appropriate plastic trim tool to aid in the removal of the door trim. 2. Pull upwards on the door lock retainer cable to disengage. 3. Disconnect the electrical connector.

Reverse above procedure for re-installation



PROFESSIONAL INSTALLATION RECOMMENDED

Warranty does not cover damage to vehicle or mirror housing due to improper installation. Muth Mirror Systems, LLC (MMS) assumes no responsibility with regard to the accuracy of this information. MMS assumes no liability or responsibility resulting from improper installation, even in reliance upon this information. Proper installation is the responsibility of the installer. It is your responsibility to verify any circuit before interfacing with it using a digital multimeter.

WARRANTY STATEMENT

The Signal® Mirror is warranted to be free from defects in materials and workmanship for a period of three years or 36,000 miles (whichever comes first) from date of sale to original purchaser. This warranty excludes labor, broken glass, or other situations that cause harm to the product after it has been shipped from the factory, such as damage, unreasonable use, modifications, or alterations. In the event of a defect, Muth reserves the right to evaluate the problem through Quality Control and, at Muth's discretion, replace the defective product. Any warranty or replacement part will be charged to the customer when shipped. Credit will be given when the defective part is returned to and received by Muth, and the replacement is warranted.

Muth products are protected by these, and other pending, United States Patents:

6,076,948; 6,257,746; 7,104,676; 7,327,321; 6,749,325; 7,241,037; 7,192,172; 7,273,307;
7,416,318; 6,045,243; D394,833; D409,540; D428,373; D426,506; D430,088; D426,507;
D428,372; D429,202; D428,842; D425,466; D427,128