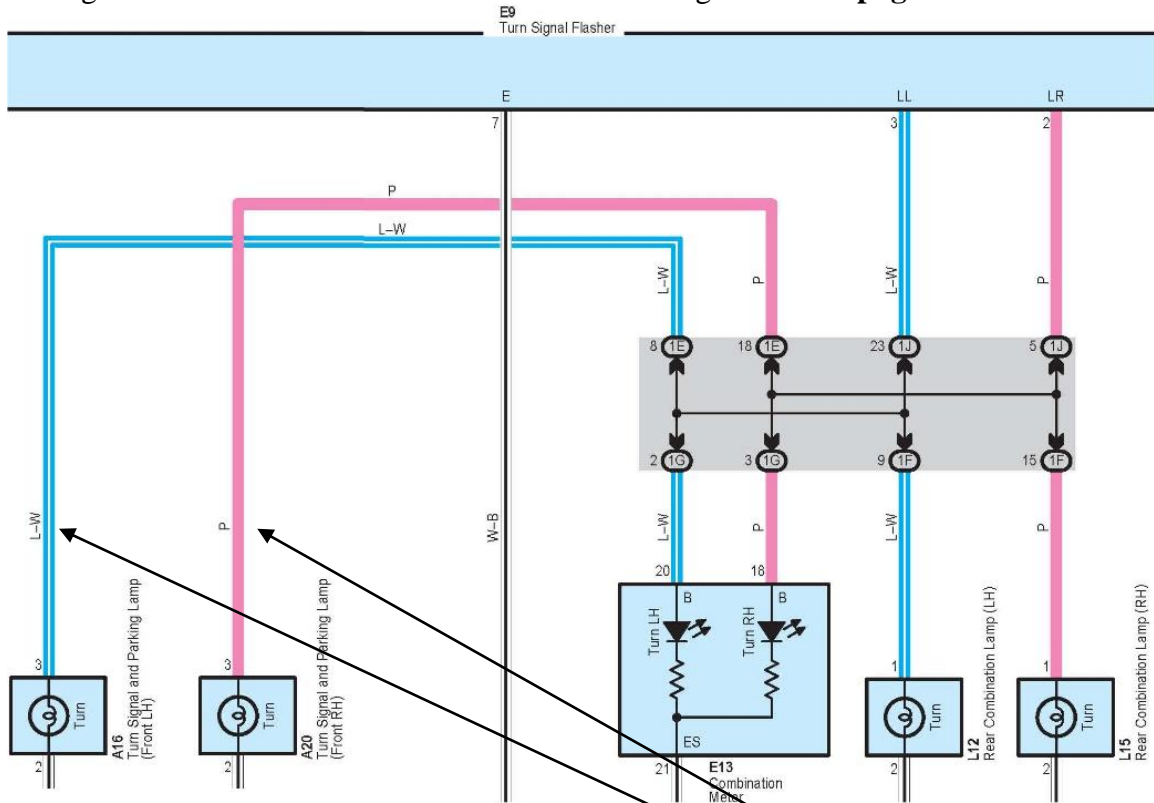
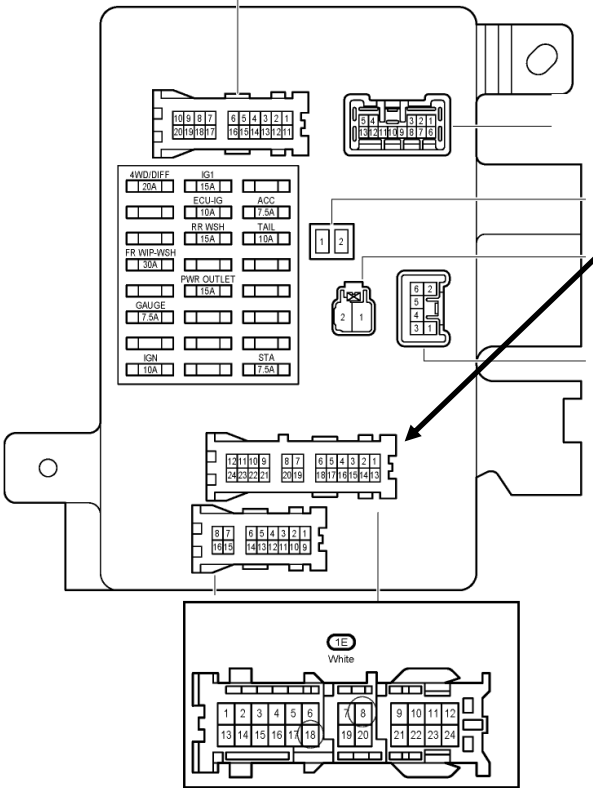


Wiring: 2007-20012 models. 2013-2014 model wiring shown on page 2.

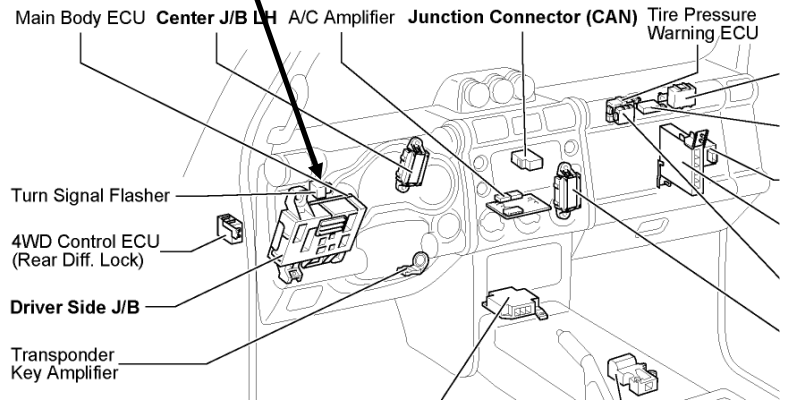


○ : Driver Side J/B Lower Finish Panel

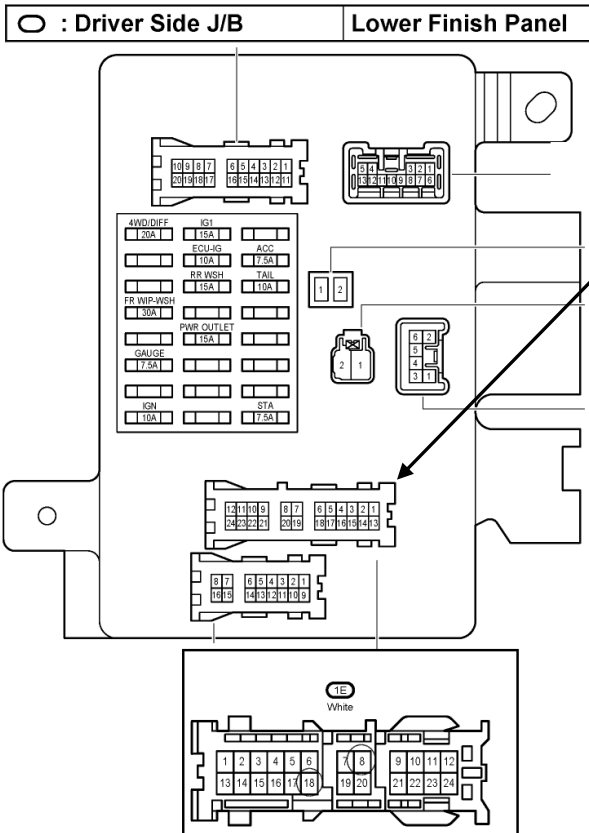
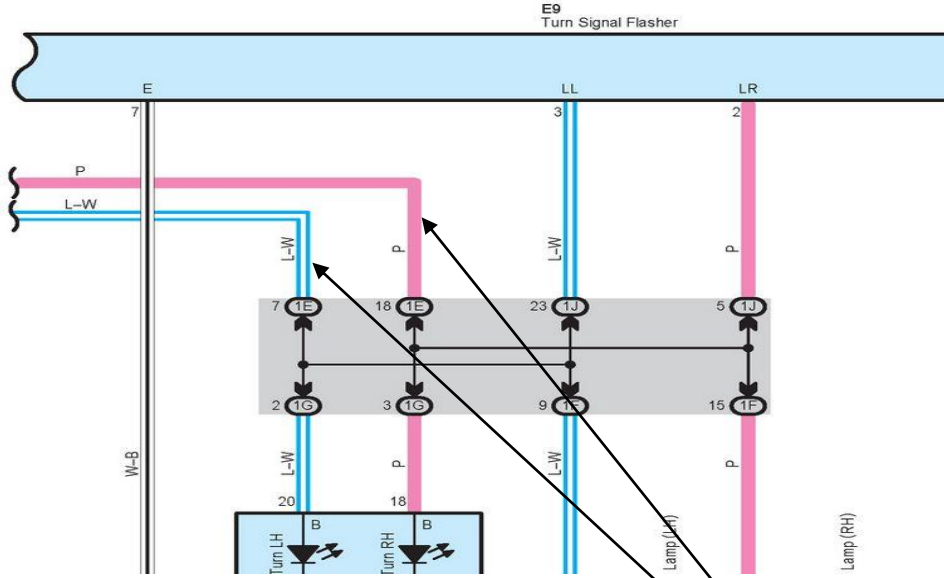
RH = Pink Wire
 LH = Blue with White Stripe Wire
 Location: Driver side Junction Box
 beneath the dash board Connector
 1E Pins 8 and 18



[Instrument Panel]

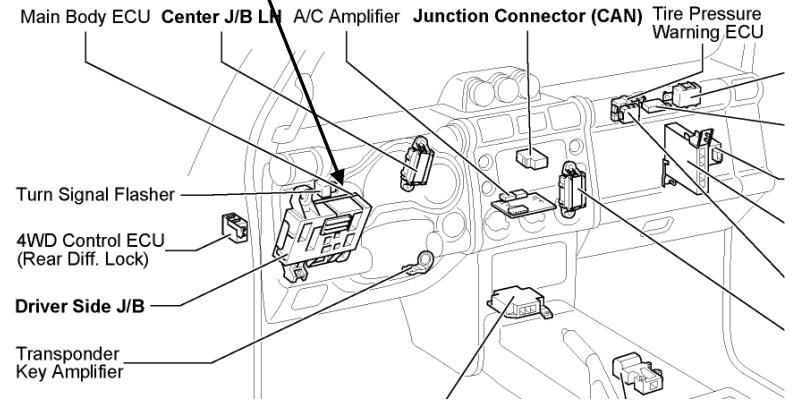


Wiring: **2007-20012** models.



RH = Pink Wire
 LH = Blue with White Stripe Wire
 Location: Driver side Junction Box
 beneath the dashboard. Connector
 1E Pins 7 and 18

[Instrument Panel]



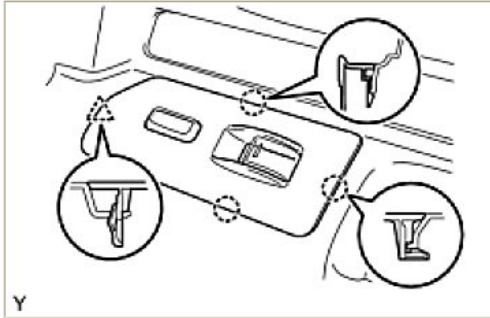
Door Panel:

DISASSEMBLY

HINT:

- Use the same procedure for both the RH and LH sides.
- The procedure described below is for the RH side.

1. DISCONNECT CABLE FROM NEGATIVE BATTERY TERMINAL



2. REMOVE FRONT ARMREST BASE UPPER PANEL

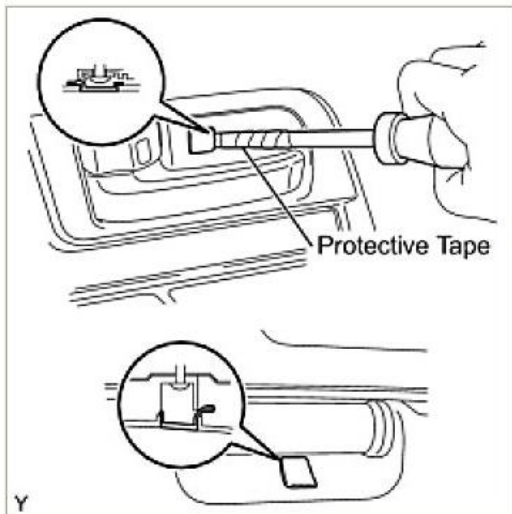
- (a) Disengage the 3 claws and clip and remove the front armrest base upper panel.
- (b) Disconnect the connector.

3. REMOVE POWER WINDOW REGULATOR MASTER SWITCH ASSEMBLY (for Driver Side)

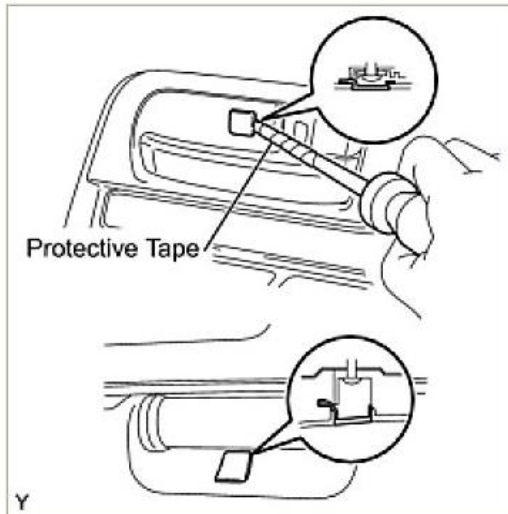
4. REMOVE POWER WINDOW REGULATOR SWITCH ASSEMBLY (for Front Passenger Side)

5. REMOVE DOOR CONTROL SWITCH (for Front Passenger Side)

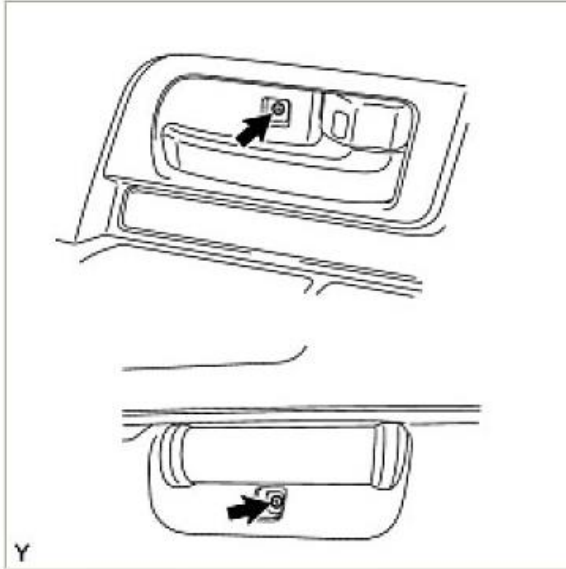
6. REMOVE FRONT DOOR TRIM BOARD SUB-ASSEMBLY



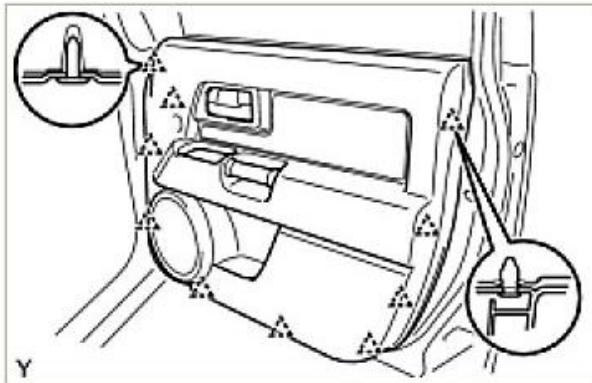
- (a) for LH side:
Using a screwdriver with its tip wrapped in protective tape, open the 2 covers.



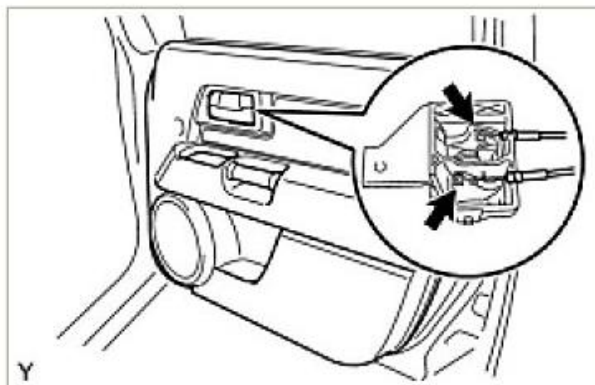
- (b) for RH side:
Using a screwdriver with its tip wrapped in protective tape, open the 2 covers.



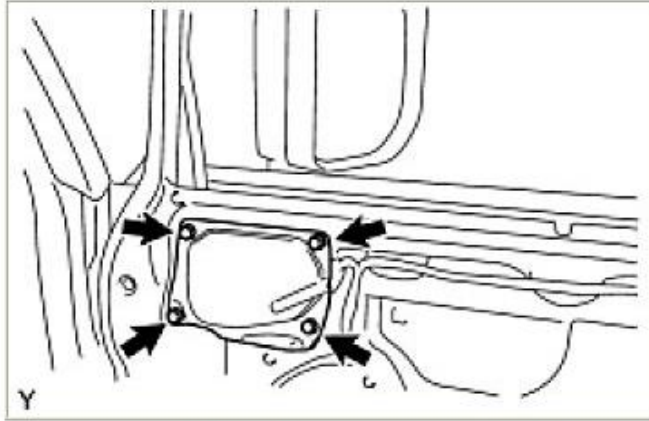
(c) Remove the 2 screws.



(d) Disengage the 10 clips.



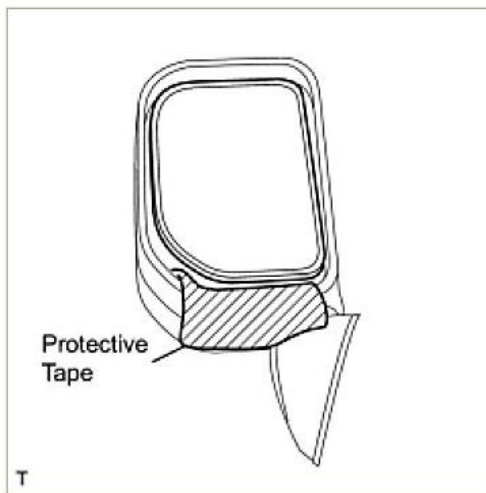
(e) Disconnect the front door lock remote control cable and front door inside locking cable and remove the front door trim board.



7. REMOVE FRONT NO.2 DOOR SERVICE HOLE COVER

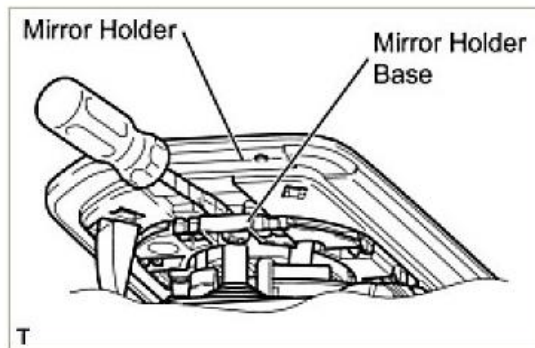
(a) Remove the 4 screws and front No. 2 door service hole cover.

8. REMOVE OUTER REAR VIEW MIRROR

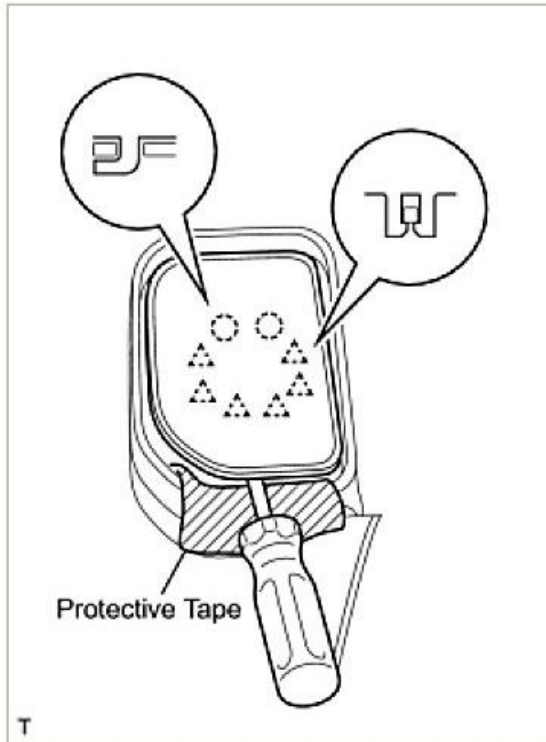


(f) Apply protective tape to the lower part of the mirror body.

(g) Press down the upper part of the mirror and tilt the mirror.



(h) Using a screwdriver with its tip wrapped in protective tape, insert it between the mirror holder and the mirror holder base.



- (i) Twist and disengage the 2 clips on the lower side of the mirror.
HINT: Heating the mirror holder with a domestic dryer before this procedure makes the work easier.
- (j) While holding the mirror with the screwdriver, disengage the 4 clips and 2 claws on the upper side of the mirror and remove the mirror.

**** Reverse above procedure for door panel re-installation****