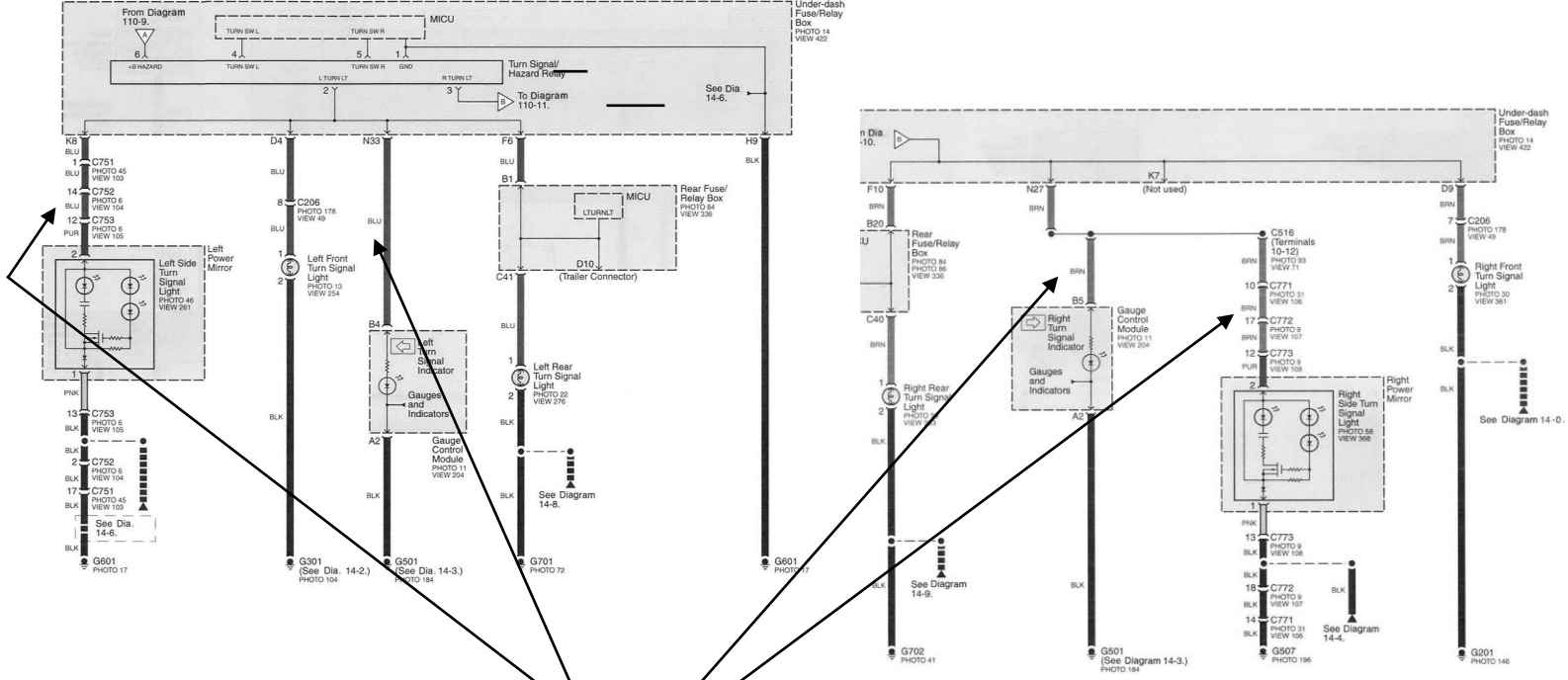


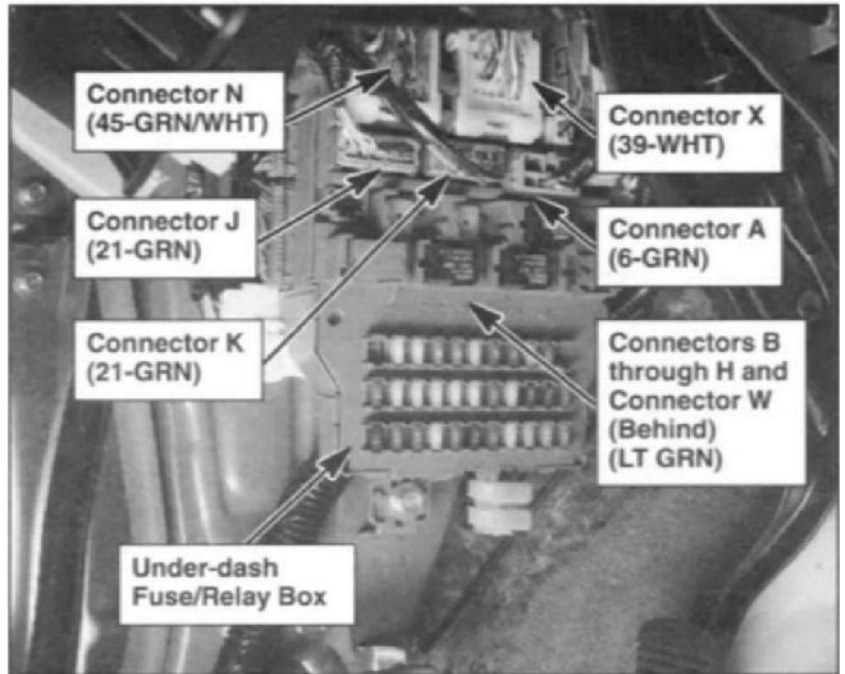
Wiring:

Turn Signal and Hazard Warning Lights



LH = Blue wire
RH = Brown wire
Location: If so equipped, wires may be available inside the mirror, otherwise, look in the smart junction box behind the Passenger side kick panel

14. Behind Left Kick Panel



Door Panel removal:

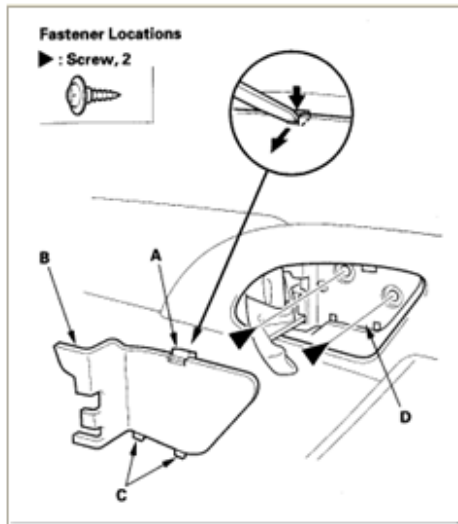
Special Tools Required

KTC trim tool set SOJATP2014*

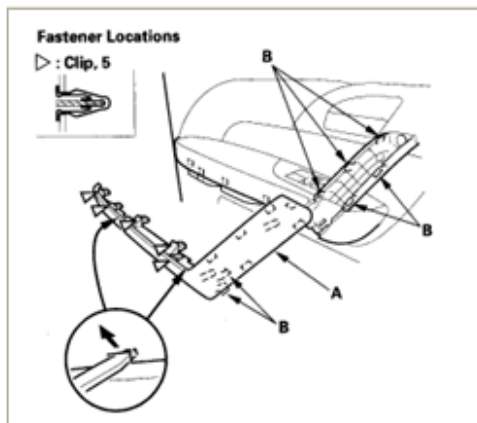
Trim pad remover. Snap-on A 177A or equivalent, commercially available

* Available through the American Honda Tool and Equipment

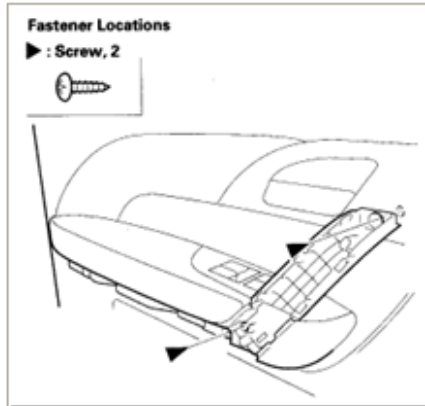
NOTE: Use the appropriate tool from the KTC trim tool set to avoid damage when removing components.



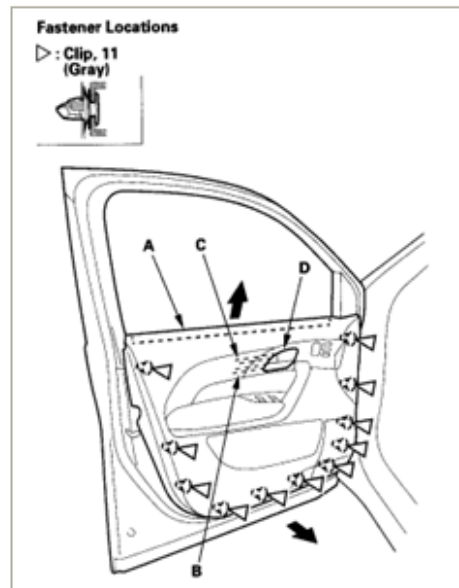
1. Using a trim tool, push on the upper hook (A) and pivot the inner handle cap (B) on the bottom hooks (C), then remove the cap and the screw securing the inner handle (D).



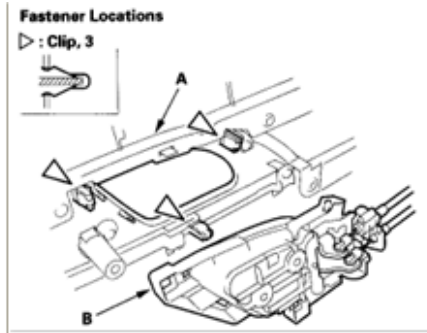
2. Pry out the bottom edge of the grip cover (A) at the notches with the trim tool to detach the clips and to release the hooks (B). Then remove the cover.



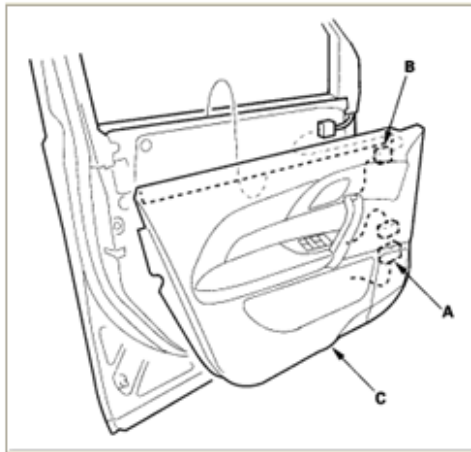
3. Remove the screws.



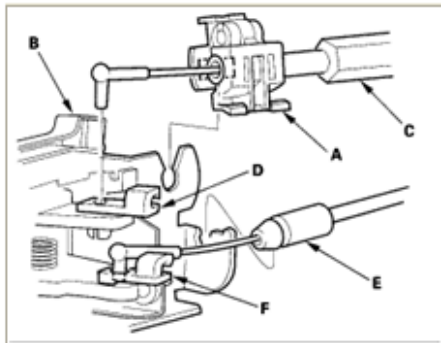
4. Remove the door panel (A) with as little bending as possible to avoid creasing or breaking it.
 1. Start at the bottom edge of the door panel, release the clips with a commercially available trim pad remover.
 2. Detach the upper clips.
 3. Starting at the rear, pull the door panel upward. **NOTE:** The inner handle cable (B) and latch cable (C) are connected to the inner handle (D). Do not pull the door panel up too far, or these cables will be damaged.



5. While holding the door panel (A) away from the door, remove the inner handle (B) from the door panel by detaching the clips.



6. Disconnect the door subharness connector (A) and [power mirror switch](#) connector (B), then remove the door panel (C)

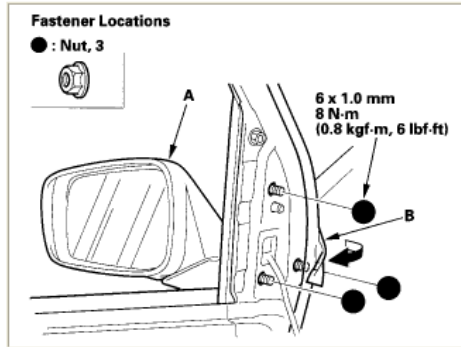


7. Remove the latch cable fastener (A) from the inner handle (B), and then disconnect the latch cable (C) from the cable fastener (D). Disconnect the inner handle cable (E) from the cable fastener (F), then remove the inner handle. **NOTE:** Check if the cable fasteners are damaged or stress-whitened.

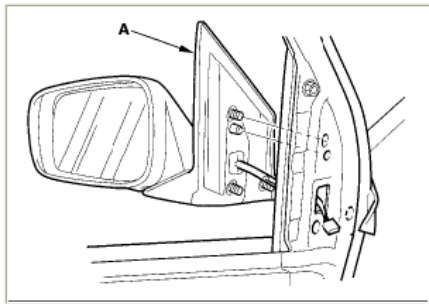
Power Mirror Replacement

1. Lower the door glass fully.
2. Remove these items:

- Front door panel
- Front door sash inner trim



3. While holding the mirror (A), pull back the door weatherstrip (B) as needed, then remove the nuts.

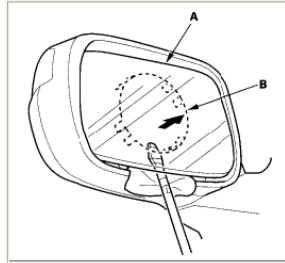


4. Remove the mirror (A). Take care not to scratch the door.
5. Install the mirror in the reverse order of removal.

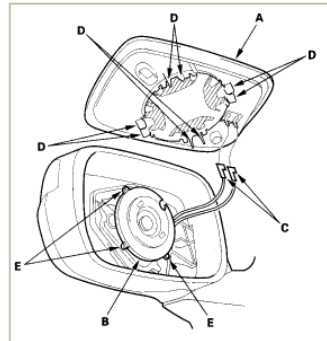
Mirror Holder Replacement

NOTE: When prying with a flat-tipped screwdriver, wrap it with protective tape to prevent damage.

1. Adjust the mirror fully to the upward position.



2. Insert a long, thin flat-tipped screwdriver under the mirror holder (A). Slide the tip of the screwdriver between the mirror holder and the actuator (B).
3. Quickly twist the screwdriver to separate the mirror holder from the mirror actuator.
4. Insert the screwdriver further under the mirror holder and twist it again. **NOTE:** Do not pry up on the mirror holder to separate the two parts, as this can cause either the mirror glass or actuator to break.



5. Separate the mirror holder (A) from the actuator (B). Disconnect the mirror defogger connectors (C) from the heater pad terminals.
6. Reconnect the mirror defogger connector.
7. Align the tabs (D) on the mirror holder so they line up on each side of the actuator tabs (E). Carefully push on the mirror holder until it locks into place.
8. Check the operation of the actuator.