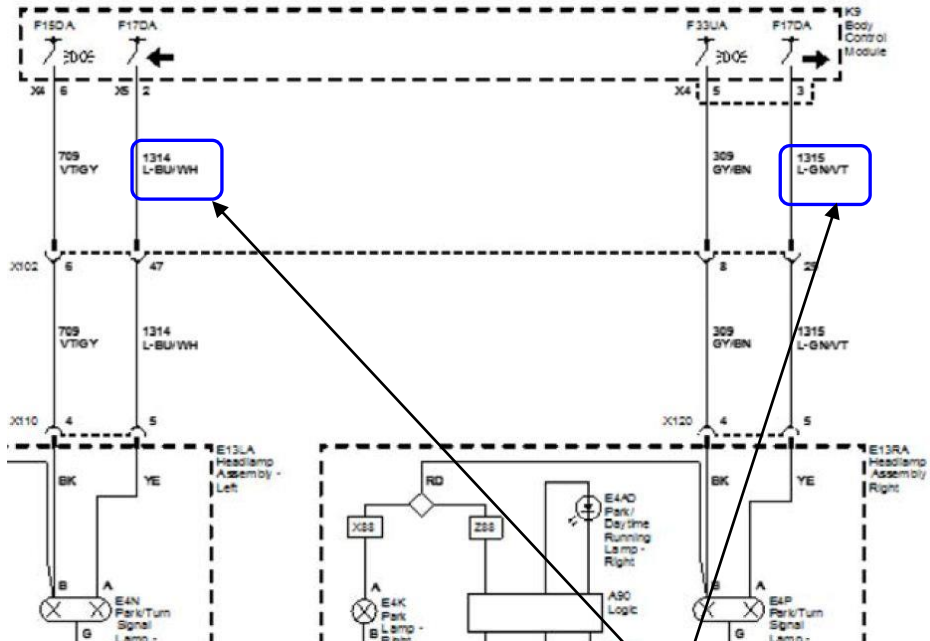
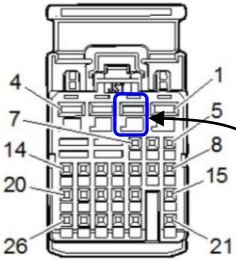


WIRE IDENTIFICATION & LOCATION:

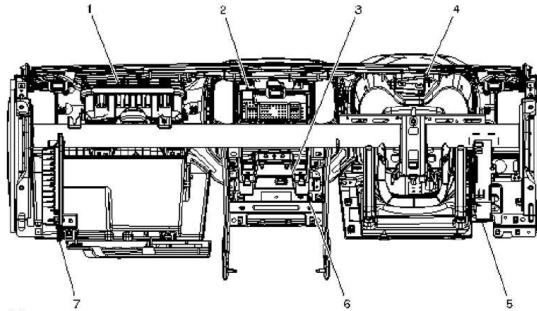
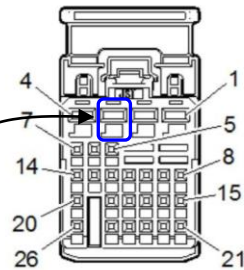


LH = Light Blue w/White Stripe Wire
 RH = Light Green w/Violet Stripe Wire
 Location: Body Control Module (BCM); LH = Connector X5
 RH = Connector X4

K9 Body Control Module X5



K9 Body Control Module X4

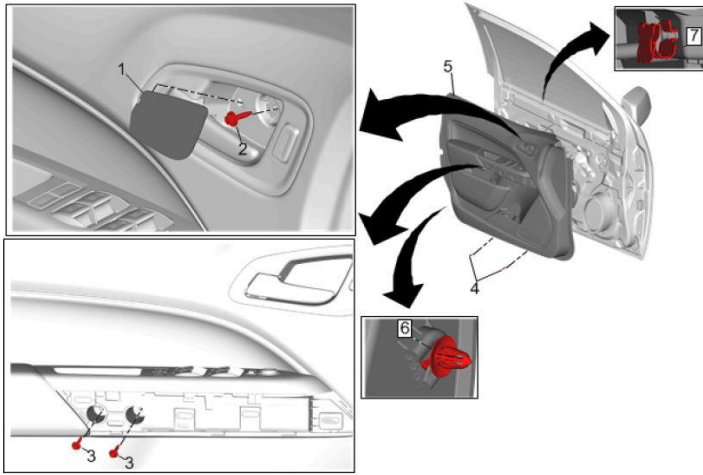


- (1) F101 Passenger Instrument Panel Air Bag
- (2) A11 Radio
- (3) K74 Human Machine Interface Control Module (IO4/IO5/IO6)
- (4) P43 Collision Alert Indicators (UEU)
- (5) **K9 Body Control Module**
- (6) K33 HVAC Control Module

Pin	Size	Color	Circuit	Function
2	0.75	L- BU/WH	1314	Left Front Turn Signal Lamp Control
3	0.75	L- GN/VT	1315	Right Front Turn Signal Lamp Control

DOOR PANEL REMOVAL:

Front Side Door Trim Replacement

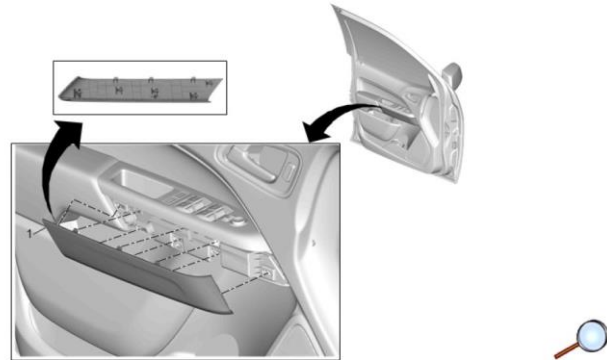


Front Side Door Trim Replacement

Callout	Component Name
Preliminary Procedure Remove the front side door armrest cover trim. Refer to Front Side Door Armrest Cover Trim Replacement .	
1	Front Side Door Inside Handle Bolt Finish Cap Note: Use a suitable tool, place the tool between the notch located at the top of the door handle cap and the door handle. Turn the suitable tool clockwise releasing the door handle cap, exposing the handle fastener.
2	Front Side Door Inside Handle Fastener Caution: Refer to Fastener Caution . Tighten 2.5Nm (22 lb in)
3	Front Side Door Pull Handle Fastener (Qty: 2) Tighten 1.5Nm (13 lb in)
4	Front Side Door Trim Panel Fastener (Qty: 2) Tighten 2.5Nm (22 lb in) © 2015 General Motors. All rights reserved.

Callout	Component Name
Front Side Door Trim Assembly Procedure 1. Using the appropriate plastic trim tool loosen the retainers along the bottom of the door trim panel. 2. When the panel is sufficiently loosened, place inner hand behind panel and pull towards you to disengage integral retainers and clips. 3. While lifting out at the bottom, tilt the inner corner of panel down, and with a short hard tap disengage clip from trim, leaving clip in metal. 4. Using appropriate tool, remove clip from sheet metal. 5. Disconnect the door lock retainer cable from the door trim panel and the inside handle. 6. Disconnect the electrical connectors. 7. Place the door trim panel on a clean flat surface.	
5	
6	Front Side Door Trim High-Retention Retainer (Qty: 8) Note: <ul style="list-style-type: none"> The high-retention retainers will be destroyed during removal. It will require more than 67 pound feet of force to remove the fasteners, breaking them in the process. The high-retention retainers that are destroyed during removal must be replaced with new high-retention retainers to properly reattach the door trim.
7	Front Side Door Trim Belt Line Clips (Qty: 5) Note: Make sure the belt line clips are replaced with new clips before re-attaching the door trim, even if they weren't damaged.

Front Side Door Armrest Cover Trim Replacement



Front Side Door Armrest Cover Trim Replacement

Callout	Component Name
1	Front Side Door Armrest Cover Trim Assembly Procedure Use a small flat-bladed tool to release the integral clips from the front side door trim panel.

****Reverse procedure for door panel re-installation****