



2008-2012 Ford Escape Signal[®] Mirror



PROBLEMS OR QUESTIONS?

Technical Assistance is available by
calling
Muth Mirror Systems Technicians at:

1-800-844-6616

Monday through Friday
Between 9:00 a.m. and 4:00 p.m.
CST

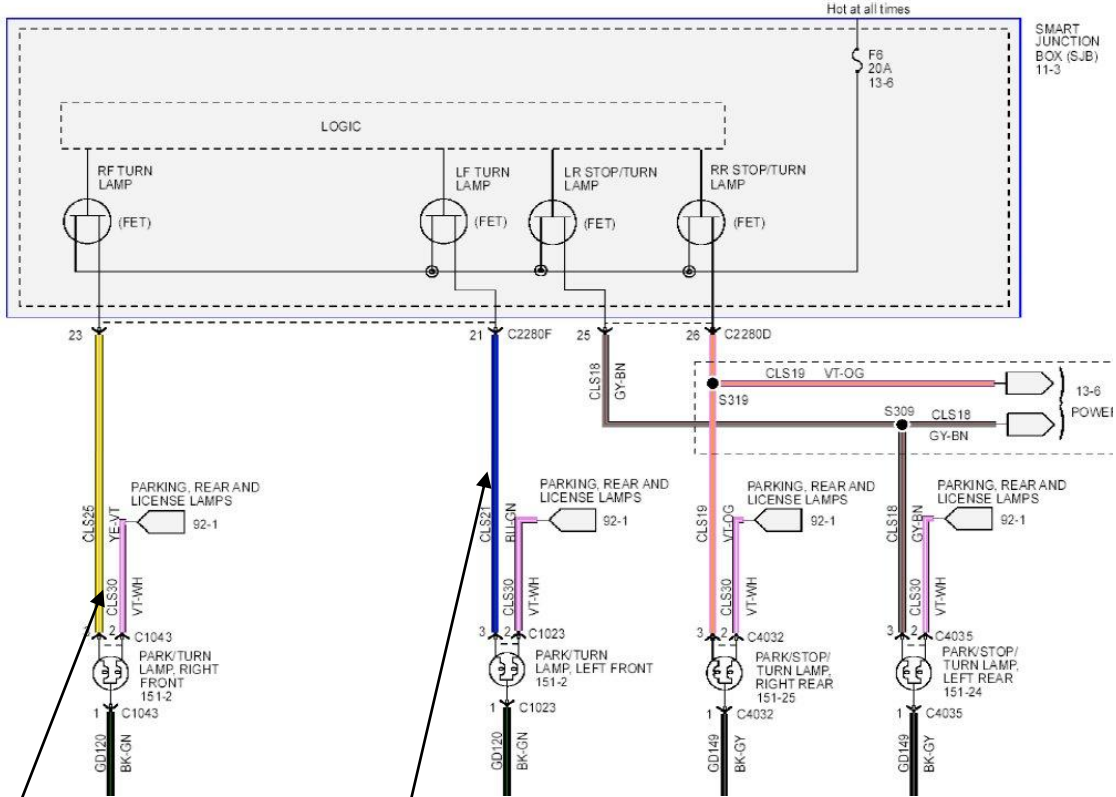
Or through the Muth web site:
www.muthco.com

Or via E-mail:

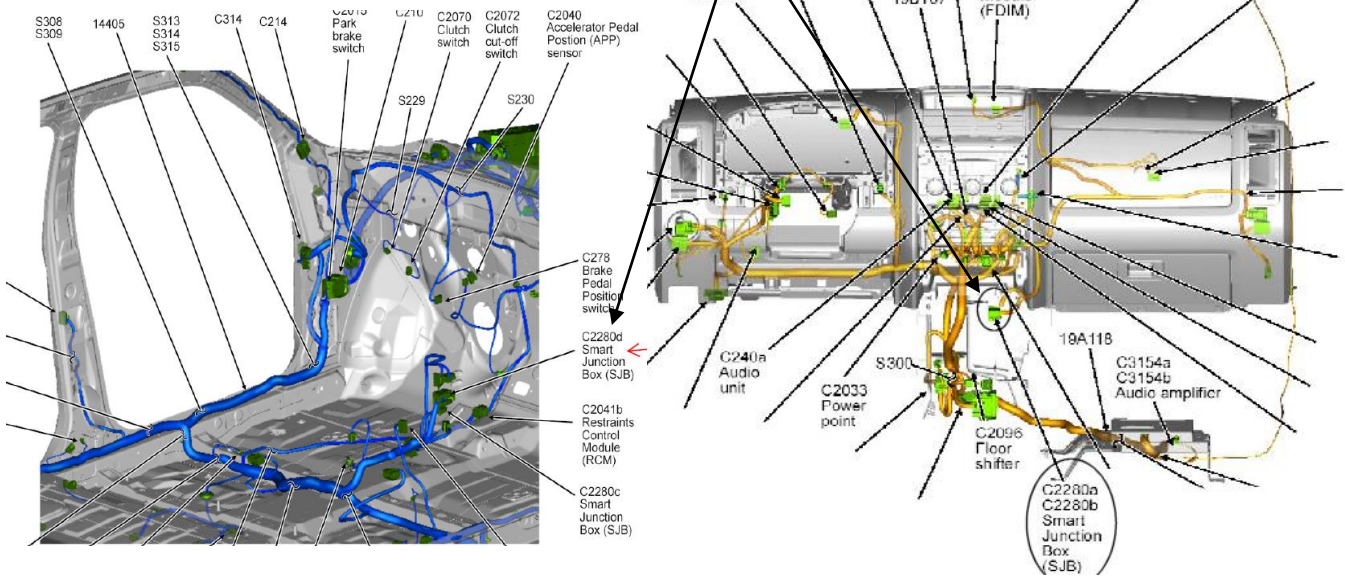
THE safety accessory of the 21st Century.[™]

© 2012 Muth Mirror Systems, LLC.

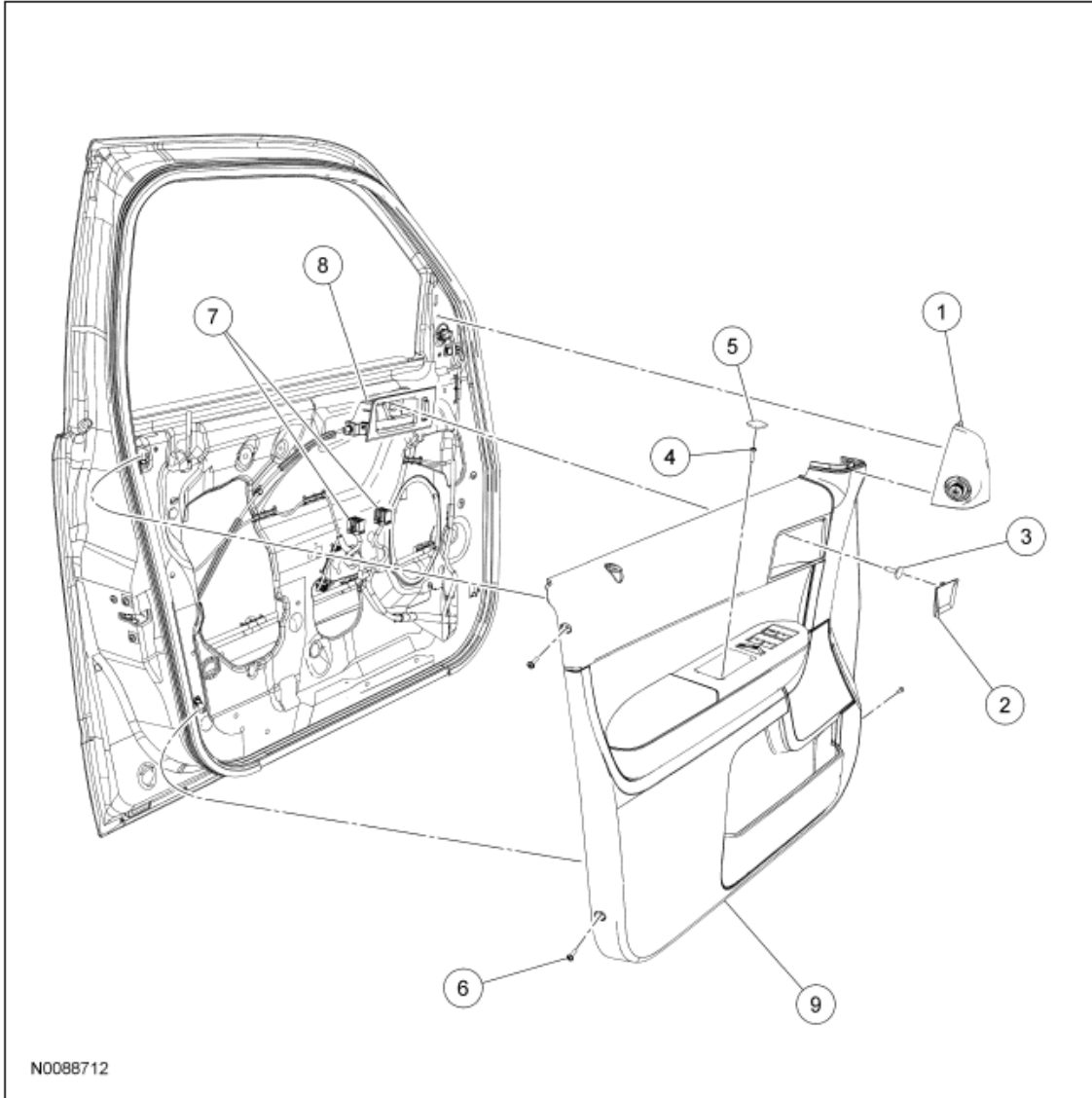
Wiring:



LH = Blue with Green wire
 RH = Yellow with Violet wire
 Location: Smart Junction box pins 21 &
 23 of connector C2280F
 In center console



Door Panel removal:



N0088712

Item	Part Number	Description
1	17K709	Sail panel
2	22621 LH/ 22620 RH	Door handle finish panel
3	N805651	Door handle screw
4	W703268	Door pull cup screw
5	237B52	Door pull cup screw cover

(Continued)

Item	Part Number	Description
6	W703268	Front door trim panel screw (3 required)
7	14631	LH power window electrical connectors
8	22601 LH/ 22600 RH	Door handle

(Continued)

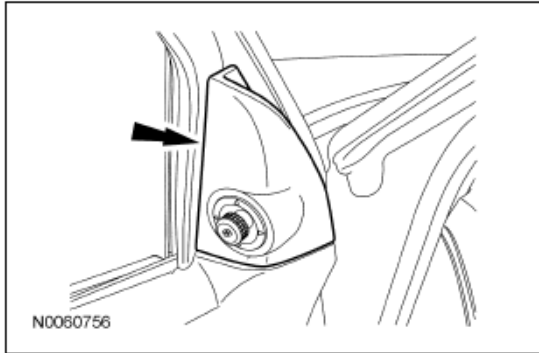
REMOVAL AND INSTALLATION (Continued)

Item	Part Number	Description
9	23942 RH/ 23943 LH	Front door trim panel

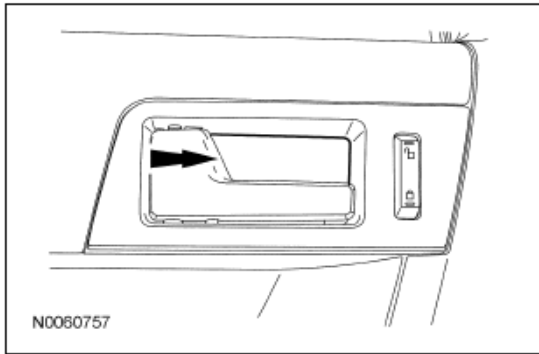
Removal and Installation

NOTE: LH side shown, RH side similar.

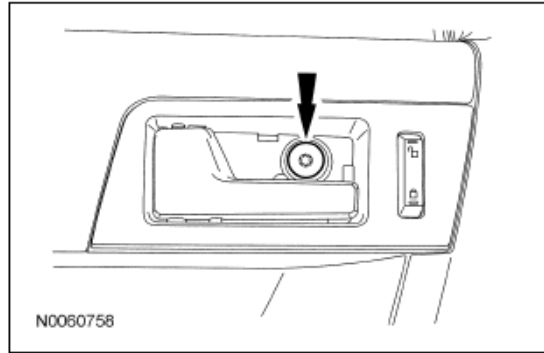
1. Remove the door sail panel.
 - If equipped, disconnect the power mirror electrical connector.



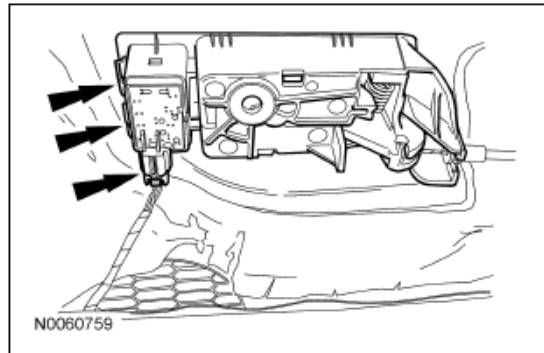
2. Open and remove the door handle finish panel.
 - Pull the door handle outward to fully access the door handle finish panel.



3. Remove the door handle screw.



4. Remove the door pull cup screw cover.
5. Remove the door pull cup screw.
6. Remove the 3 door trim panel screws.
7. Remove the door trim panel.
 - Pull outward and then upward on the door trim panel.
 - Disconnect the electrical connectors.
8. Remove the door handle from the door trim panel.
 - Disconnect the electrical connector.
 - Press the 2 retaining tabs while pushing the door handle from the door trim panel.
 - Remove the door handle from the door trim panel by pulling it back through the door trim panel.



9. To install, reverse the removal procedure.



PROFESSIONAL INSTALLATION RECOMMENDED

Warranty does not cover damage to vehicle or mirror housing due to improper installation. Muth Mirror Systems, LLC (MMS) assumes no responsibility with regard to the accuracy of this information. MMS assumes no liability or responsibility resulting from improper installation, even in reliance upon this information. Proper installation is the responsibility of the installer. It is your responsibility to verify any circuit before interfacing with it using a digital multimeter.

WARRANTY STATEMENT

The Signal® Mirror is warranted to be free from defects in materials and workmanship for a period of three years or 36,000 miles (whichever comes first) from date of sale to original purchaser. This warranty excludes labor, broken glass, or other situations that cause harm to the product after it has been shipped from the factory, such as damage, unreasonable use, modifications, or alterations. In the event of a defect, Muth reserves the right to evaluate the problem through Quality Control and, at Muth's discretion, replace the defective product. Any warranty or replacement part will be charged to the customer when shipped. Credit will be given when the defective part is returned to and received by Muth, and the replacement is warranted.

Muth products are protected by these, and other pending, United States Patents:

6,076,948; 6,257,746; 7,104,676; 7,327,321; 6,749,325; 7,241,037; 7,192,172; 7,273,307;
7,416,318; 6,045,243; D394,833; D409,540; D428,373; D426,506; D430,088; D426,507;
D428,372; D429,202; D428,842; D425,466; D427,128