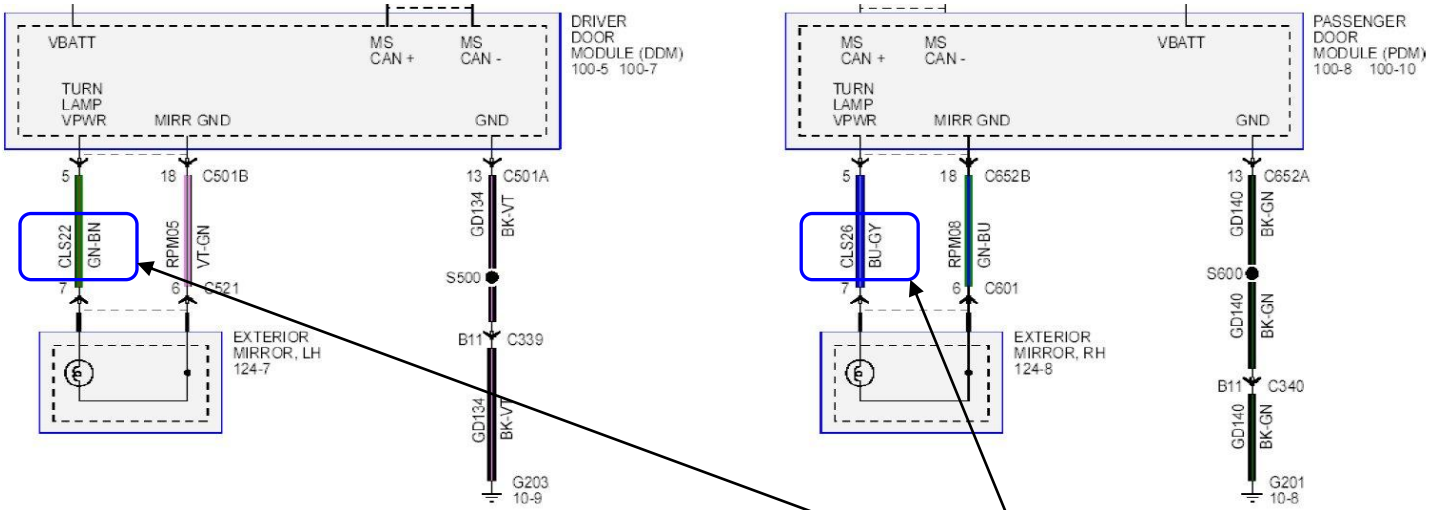


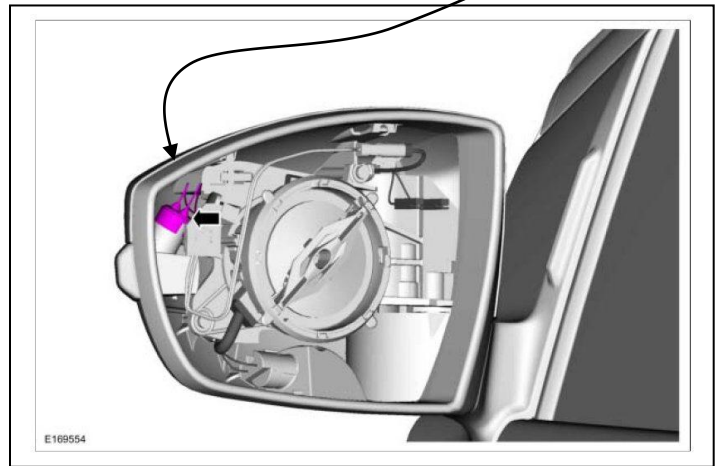
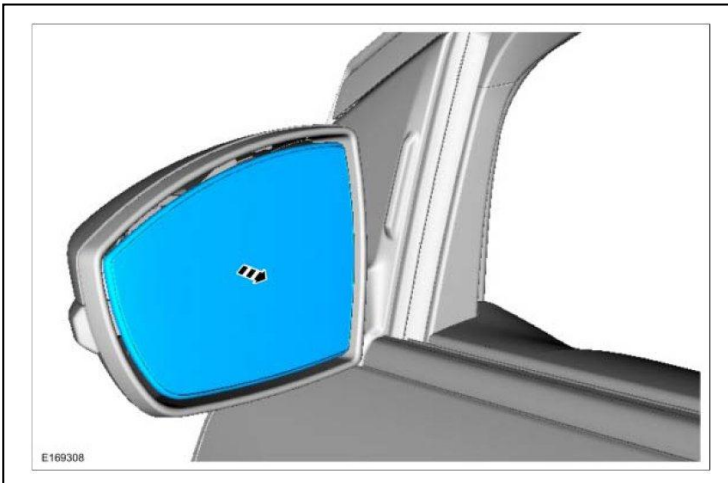
Wiring for vehicles equipped with exterior mirror directional indicator:



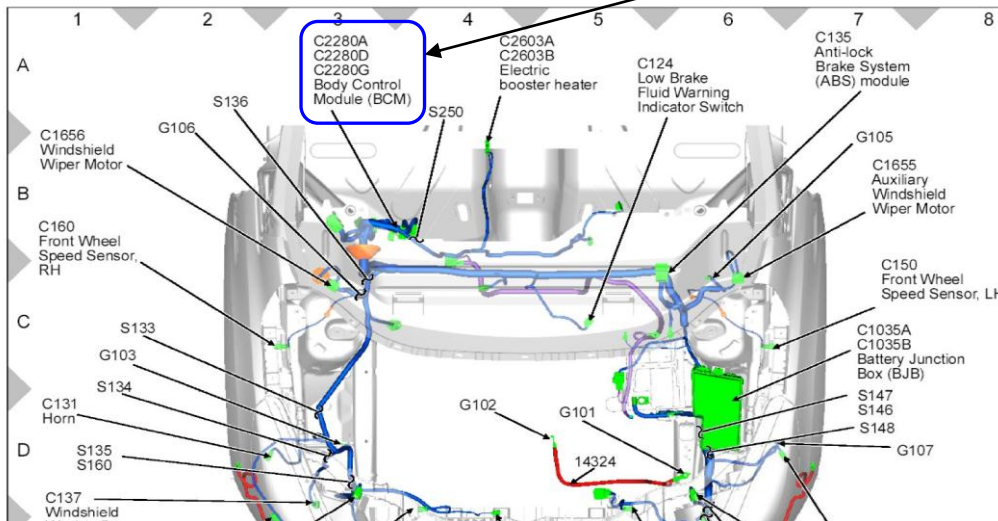
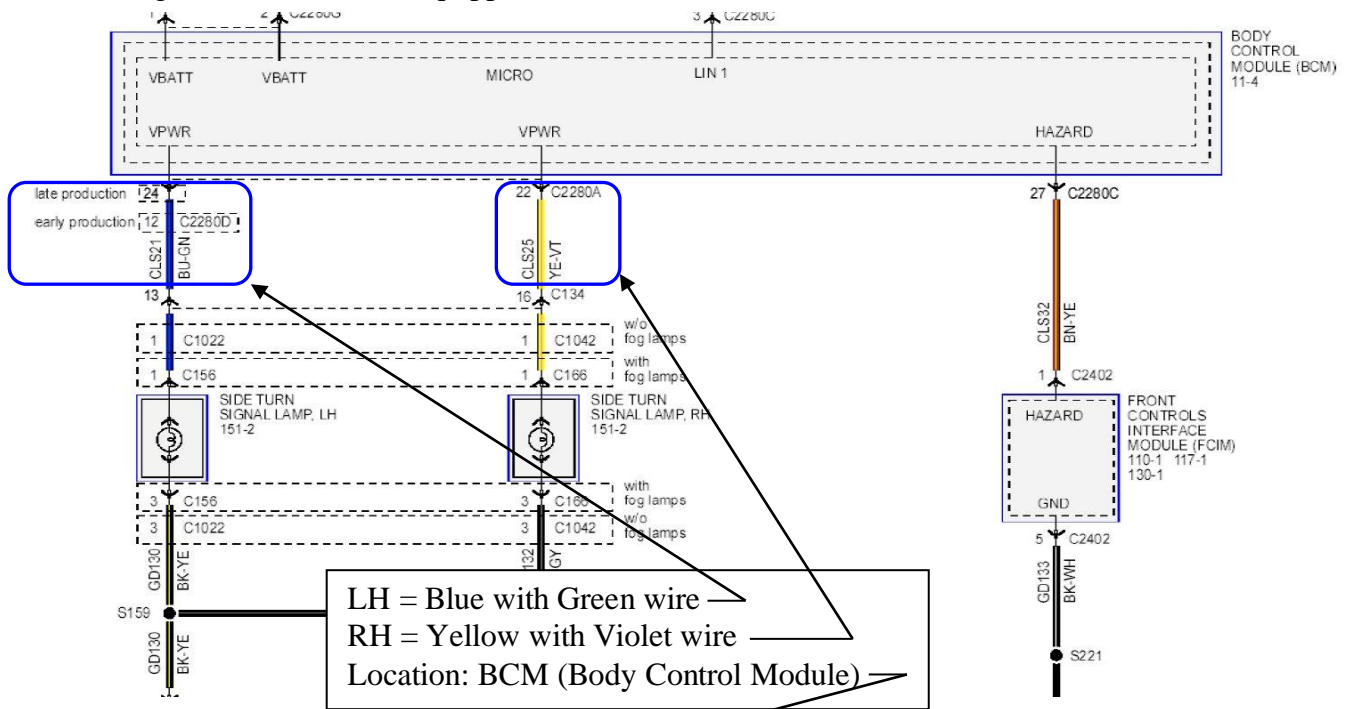
LH = Green with Brown wire
 RH = Blue with Gray wire
 Location: Exterior Door Mirror

Mirror Removal:

1. Caution: wear sturdy gloves to prevent injury. Tilt mirror fully downward and insert flat blade screwdriver between mirror motor mount and mirror motor and carefully remove mirror from motor.



Wiring for vehicles NOT equipped with exterior mirror directional indicator:



Connector:	Description	Color	Harness	Base Part #	Service Pigtail
C2280D	BODY CONTROL MODULE (BCM)		14K733	part# N/A	Not Available

Pin	Circuit	Gauge	Circuit Function	Qualifier
1	CLF05 (BU-GN)	16	CTRL MOD - BEAM LOW RIGHT	
2	CLF04 (BN-BU)	16	CTRL MOD - BEAM LOW LEFT	
3	-	-	Not Used	
4	-	-	Not Used	
5	-	-	Not Used	
6	-	-	Not Used	
7	-	-	Not Used	
8	SBB11 (BU-RD)	12	FUSE OR CIRCUIT BREAKER	early production
9	CB841 (BU)	16	FUSE OR CIRCUIT BREAKER	
10	CLF03 (VT-OG)	16	CTRL MOD - BEAM HIGH RIGHT	
11	CLF02 (GY-OG)	16	CTRL MOD - BEAM HIGH LEFT	
12	CLS21 (BU-GN)	18	CTRL MOD - TURN LAMP LEFT FRONT	early production
13	-	-	Not Used	
14	CDC01 (GN-VT)	20	CTRL MOD - RELAY IGNITION	
15	-	-	Not Used	
16	-	-	Not Used	
17	CRW23 (VT-GN)	14	RELAY - REAR WASHER	
18	CLF34 (YE-OG)	16	CTRL MOD - FOG LAMPS FRONT RIGHT OR COMMON	
19	CLF29 (BN)	16	CTRL MOD - FOG LAMPS FRONT (LEFT)	
20	CRW24 (GY)	14	RELAY - FRONT WASHER	

Connector:	Description	Color	Harness	Base Part #	Service Pigtail
C2280A	BODY CONTROL MODULE (BCM)		14K733	part# N/A	Not Available

Pin	Circuit	Gauge	Circuit Function	Qualifier
1	CLS06 (GN-OG)	20	CTRL MOD - PARK FRONT LEFT	
2	-	-	Not Used	
3	GD123 (BK-GY)	18	GROUND - FENDER FRONT RIGHT	
4	-	-	Not Used	
5	VE518 (BN-WH)	20	MONITOR - FUEL PUMP (FPM)	
6	-	-	Not Used	
7	-	-	Not Used	
8	-	-	Not Used	
9	-	-	Not Used	
10	-	-	Not Used	
11	-	-	Not Used	
12	-	-	Not Used	
13	-	-	Not Used	
14	-	-	Not Used	
15	CPL25 (BU-OG)	20	SWITCH - HOOD # AJAR	
16	CCB08 (VT-WH)	20	SWITCH - BRAKE ON/OFF (BPF) NORMAL OPEN	
17	CMC19 (GY-VT)	20	SWITCH - LOW LEVEL BRAKE FLUID	
18	-	-	Not Used	
19	-	-	Not Used	
20	-	-	Not Used	
21	VMP35 (WH-BU)	22	CTRL MOD - LIN BUS # SPDJB 3	late production
22	CLS25 (YE-VT)	18	CTRL MOD - TURN LAMP RIGHT FRONT	
23	-	-	Not Used	
24	-	-	Not Used	

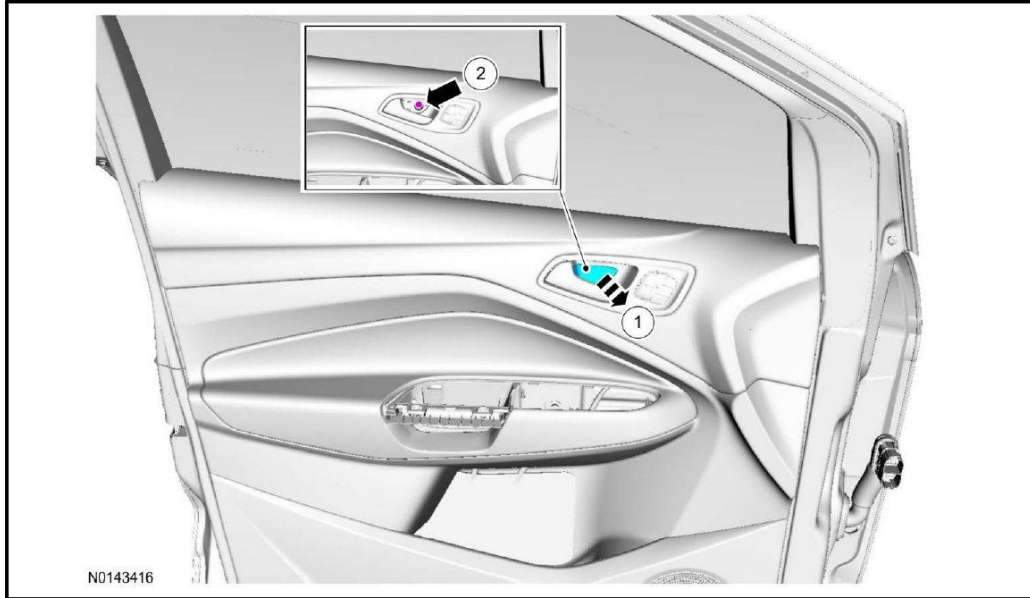
Door Panel removal:

NOTE:

LH side shown, RH side similar.

1. Remove the front window control switch. Refer to Section 501-11A or Section 501-11B.

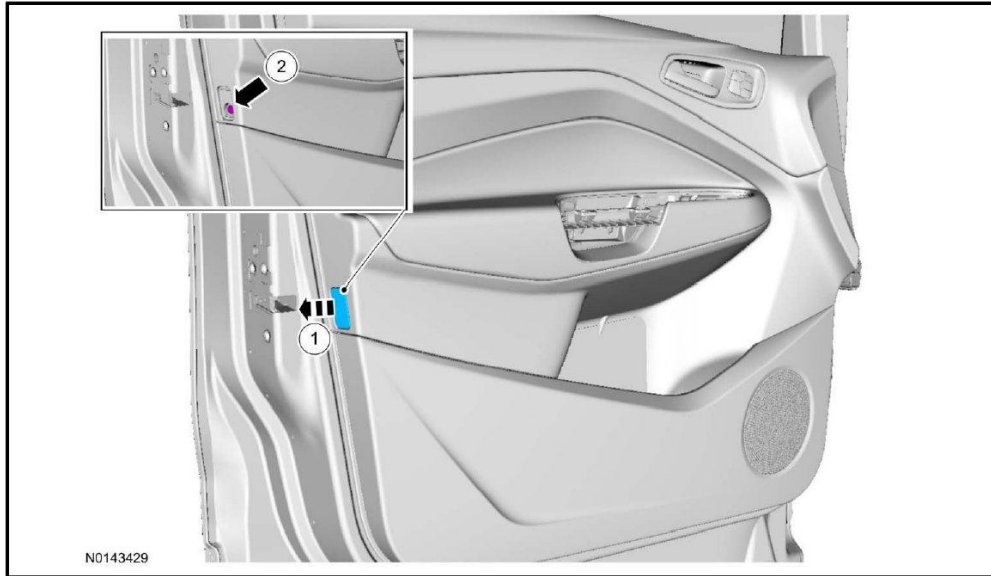
2.



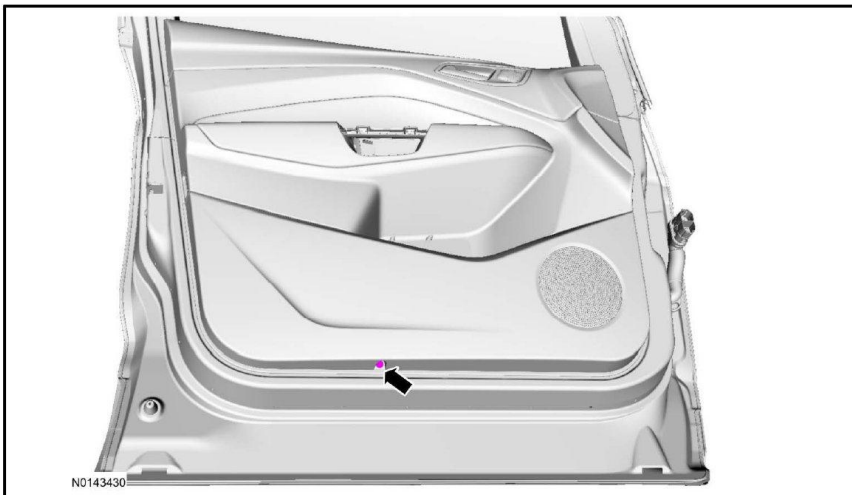
3.



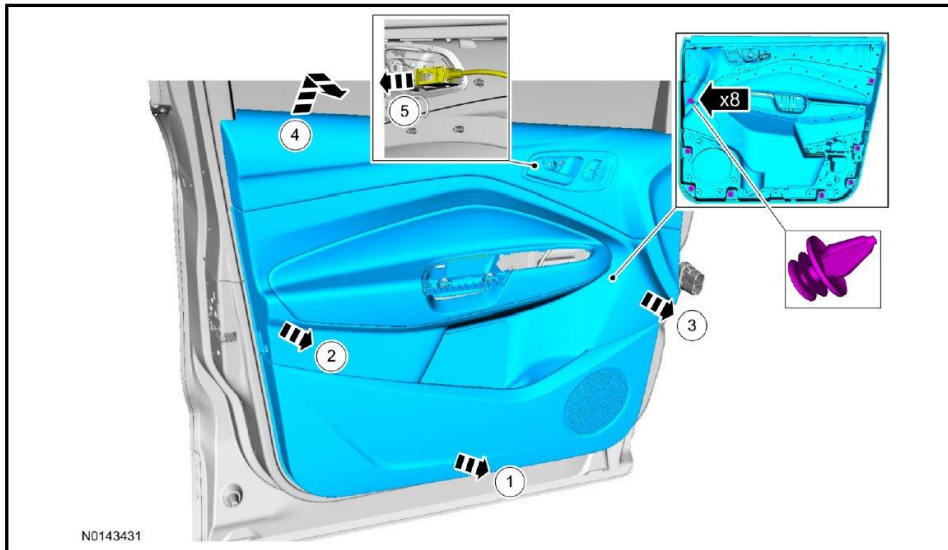
4.



5.



6.



7. To install, reverse the removal procedure.