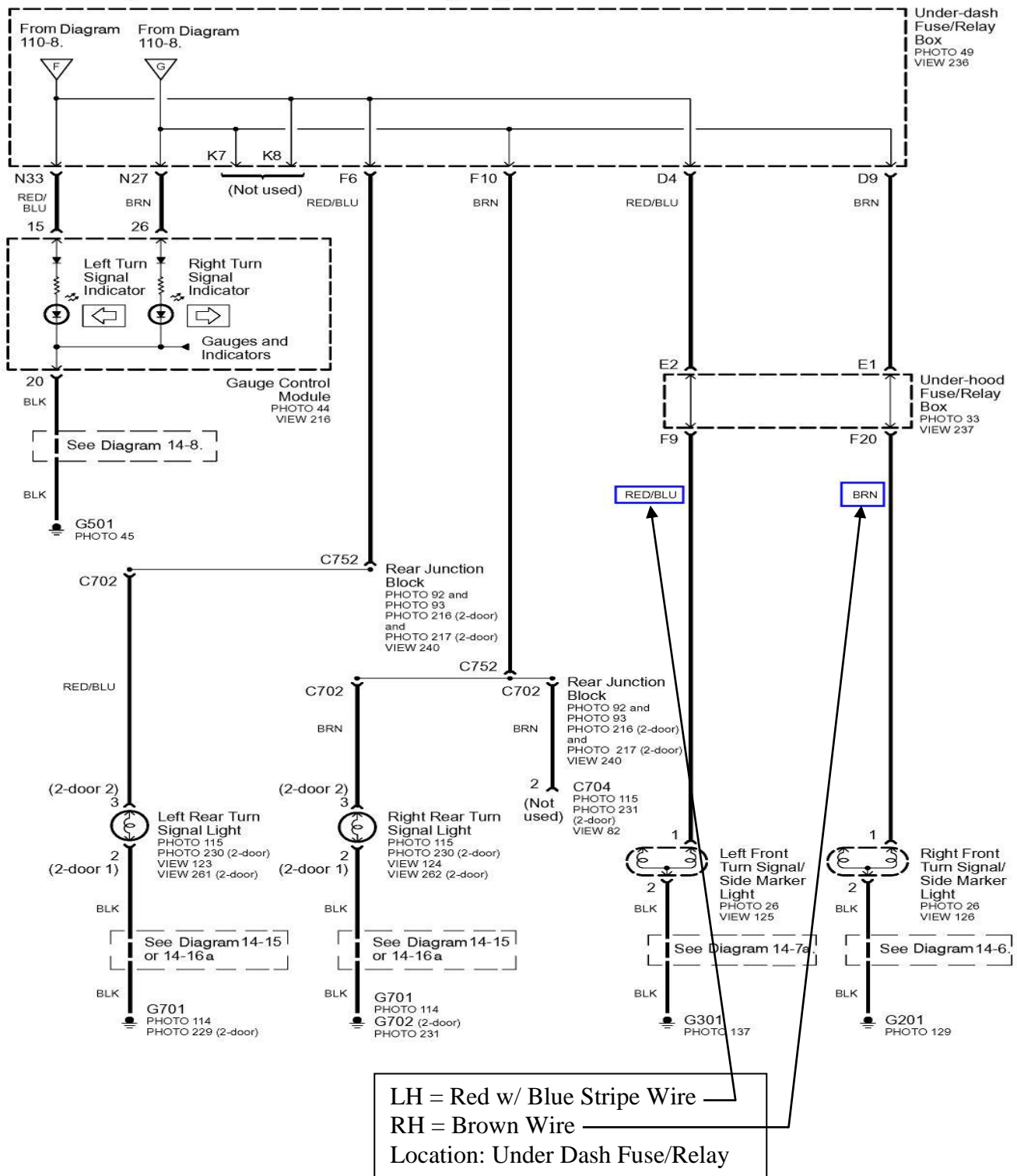


Wiring:

- Turn Signal and Hazard Warning Lights

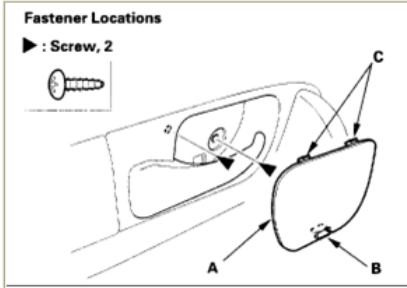


2-Door Coupe - Door Panel Removal

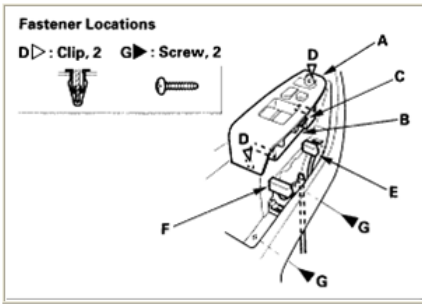
Special Tools Required

Trim pad remover, Snap-on A177A or equivalent, commercially available.

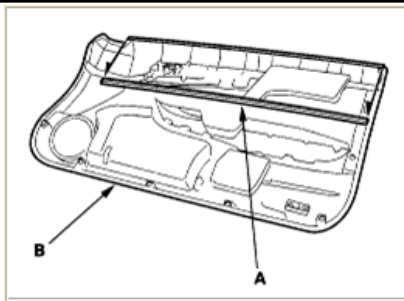
1. Lower the glass fully.



2. Using a flat-tip screwdriver wrapped with protective tape, pry out on the lower portion of the cover (A) to release the hooks (B, C), then remove the cover and the screws.

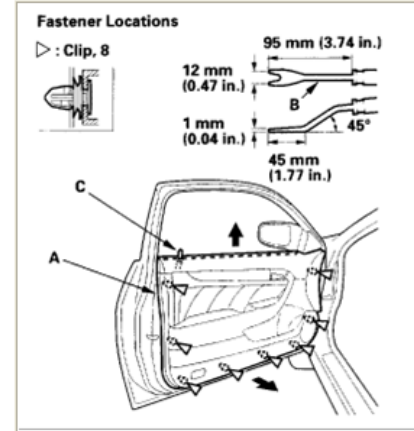


3. Remove the power window switch panel (A).
 - Insert a flat-tip screwdriver wrapped with protective tape through a hole under the armrest, and push up the bottom of the power window switch (B) to release the panel.
 - Pull out along the edge of the panel to release the hook (C) and clips (D).
 - Disconnect the [power mirror switch](#) connector (E) (driver's) and the power window switch connector (F).

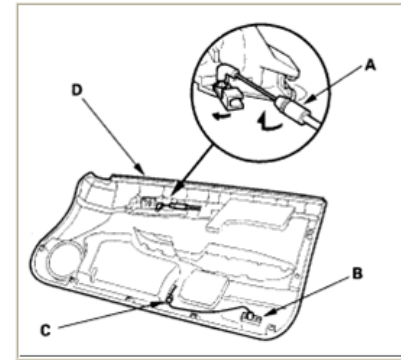


8. If necessary, remove the door glass inner [weatherstrip](#) (A) from the door panel (B) by pulling it down.
9. Install the panel in the reverse order of removal, and note these items:
 - Replace any damaged clips.
 - Make sure the connectors are plugged in properly, and the cable and the bulb socket are connected properly.
 - Check the window and power door lock operations.

4. Remove the screws (G) from under the armrest.
5. Remove the mirror mount cover.



6. Remove the door panel (A) with as little bending as possible to avoid creasing or breaking it.
 - Release the clips that hold the door panel with a commercially available trim pad remover (B).
 - Starting at the rear, pull the door panel upward, then release the lock knob (C).



7. Disconnect the inner handle cable (A) and courtesy light bulb socket (B), and detach the harness clip (C) from the panel (D).

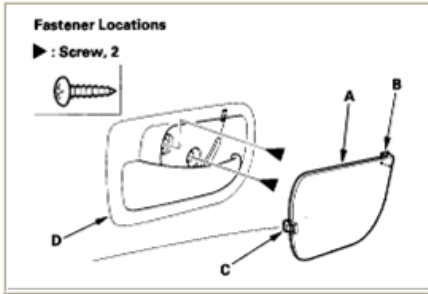
Door Panel Removal Continued:

4-Door Sedan - Door Panel Removal

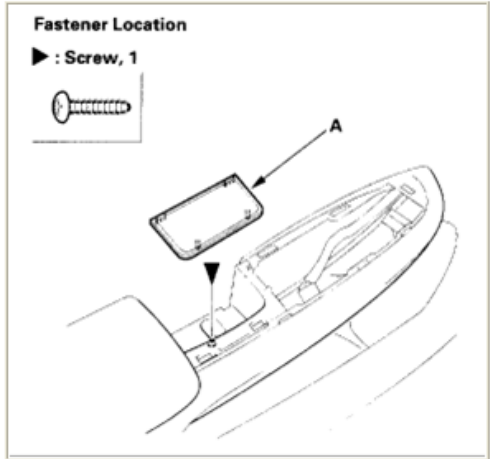
Special Tools Required

Trim pad remover, Snap-on A177A or equivalent, commercially available.

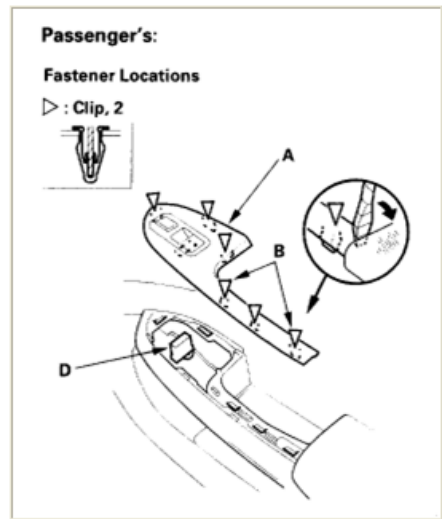
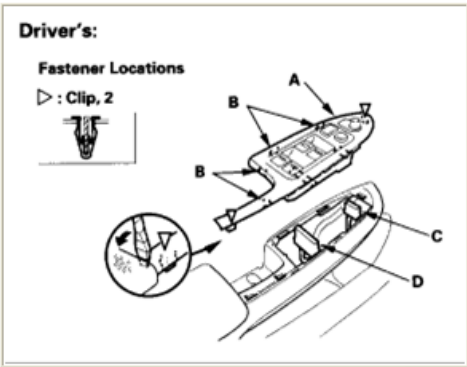
1. Lower the glass fully.



2. Using a flat-tip screwdriver wrapped with protective tape, pry out on the rear portion of the cover (A) to release the hooks (B, C), then remove the cover and the screws securing the inner handle (D).



4. Remove the screw from under the pull pocket cap (A).
5. Remove the mirror mount cover.



3. Remove the power window switch panel (A).
 - Pry upon the rear edge of the switch panel with a flat-tip screwdriver wrapped with protective tape to release the rear clip.
 - Pull out along the edge of the panel to release the hooks (B) and front clip.
 - Disconnect the [power mirror switch](#) connector (C) (driver's) and the power window switch connector (D).

Door Panel Removal Continued:

6. Remove the door panel (A) with as little bending as possible to avoid creasing or breaking it.

- Start at the bottom edge of the door panel, release the clips that are just above the marks (B) on the edge of the panel with a commercially available trim pad remover (C).
- Detach the upper clips.
- Starting at the rear, pull the door panel upward, then release the lock knob (D)

7. Disconnect the inner handle cable (A), and if equipped, courtesy light bulb socket (B), and detach the harness clip (C). Remove the inner handle (D) by releasing the hooks (E, F).

8. If necessary, remove the door glass inner weatherstrip (A) from the door panel (B) by pulling it down.

9. Install the door panel in the reverse order of removal, and note these items:

- Replace any damaged clips.
- Make sure the connectors are plugged in properly, and the cable and the bulb socket are connected properly.
- If equipped, check the window and power door lock operations.