



## 2008-2012 Honda Accord Signal<sup>®</sup> Mirror



### PROBLEMS OR QUESTIONS?

Technical Assistance is available by  
calling  
Muth Mirror Systems Technicians at:

1-800-844-6616

Monday through Friday  
Between 9:00 a.m. and 4:00 p.m.  
CST

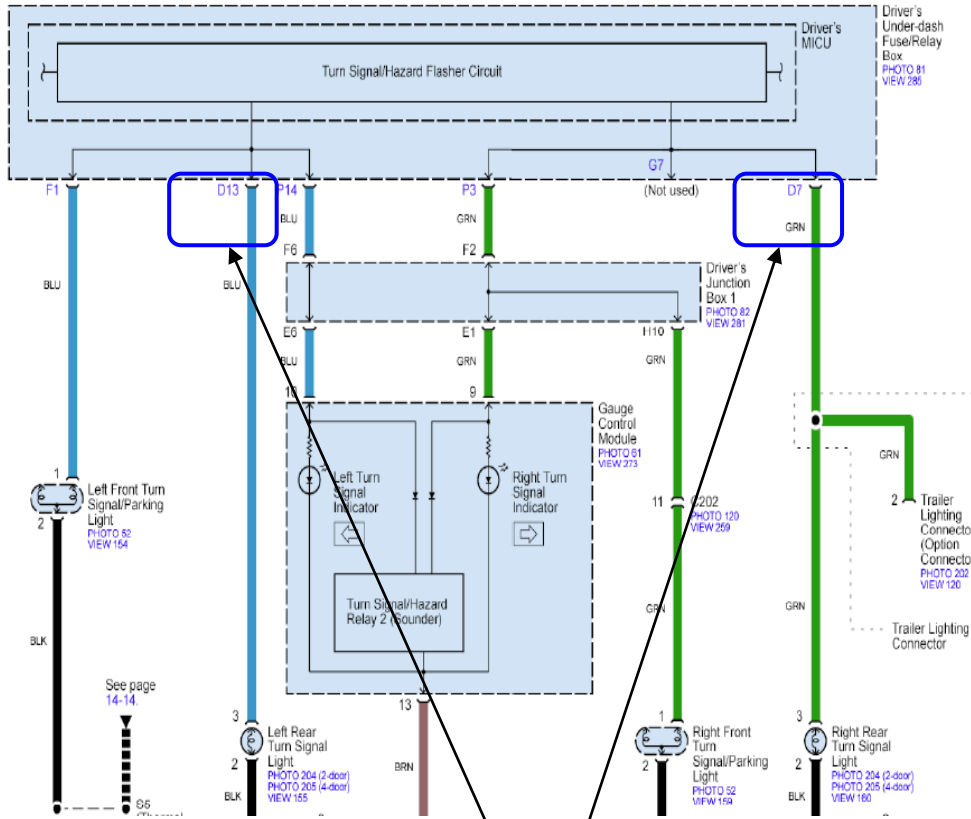
Or through the Muth web site:  
[www.muthco.com](http://www.muthco.com)

Or via E-mail:

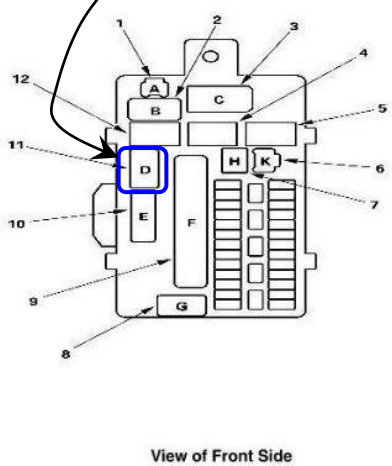
***THE safety accessory of the 21<sup>st</sup> Century.™***

© 2012 Muth Mirror Systems, LLC.

Wiring:



LH = Blue wire  
 RH = Green wire  
 Location: Under Dash Fuse/Relay, Connector D



**Connector D**  
 - LTGRN  
 - On Left Side Wire Harness



1. 4-door: PUR (Power Windows)
2. 4-door: YEL (Power Door Locks/Keyless Entry/Security System)
3. GRN (Fuse 16 - Under-hood)
4. 4-door: LTGRN (Safety Indicator)
5. WHT (Trunk Switch Position Circuit)
6. A/T: LT BLU (Back-up Lights)  
M/T: LT BLU (Back-up Lights)
- 7. GRN (Right Turn Signal Circuit)**
8. BLK (G601)
9. 4-door: ORN (Power Door Locks/Keyless Entry/Security System)
10. PNK (Fuel Supply System)
11. RED (Taillights)
12. BRN (Safety Indicator)
- 13. BLU (Left Turn Signal Circuit)**
14. BLK (G601)
15. 4-door: Security: GRY (Power Door Locks/Keyless Entry/Security System)
16. ORN (Power Door Locks/Keyless Entry/Security System)

### Door Panel removal:

**4-door**

**NOTE:**

- Take care not to scratch the door and related parts.
- Use the appropriate tool from the KTC trim tool set to avoid damage when removing components.

1. Remove the tweeter cover.
2. Raise the glass fully.
3. Push on the bottom of the inner handle cap (A) while pushing on the upper hook (B) with the appropriate trim tool, then pull back the cap to remove it.

4. Remove the screws securing the inner handle (A).

**Fastener Locations**  
► : Screw, 2

5. Pry up the notch (A) of the lid (B), then pull back the lid, and remove the screw.

**Fastener Location**  
► : Screw, 1

6. Remove the door panel (A) with as little bending as possible to avoid creasing or breaking it.

1. Start at the bottom edge of the door panel, release the clips with a commercially available trim pad remover.
2. Detach the upper clips.
3. Starting at the rear, pull the door panel upward. **NOTE:** The inner handle cable (B) and the latch cable (C) are connected to the inner handle (D). Do not pull the door panel up too far, or these cables will be damaged.

**Fastener Locations**  
► : Clip, 8 (Grey)

7. While holding the door panel (A) away from the door, remove the inner handle (B) from the door panel by releasing the hooks (C).

8. Remove the door panel (A) while pulling the inner handle (B) out through the hole in the door panel. While holding the door panel away from the door, disconnect the power window switch connector (C), the power mirror switch connector (D), and the courtesy light bulb socket (E), and detach the harness clip (F).

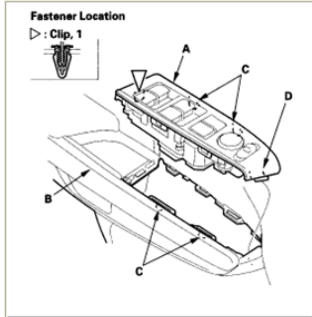
9. Disconnect the inner handle cable (A) and the latch cable (B) from the inner handle (C), then remove the handle.

1. Detach the inner handle cable fasteners (D, E), then disconnect the inner handle cable from the cable fasteners.
2. Detach the latch cable fastener (F), and remove the latch cable fastener (G) from the inner handle by pinching its tabs out. **NOTE:** Check if the cable fasteners are damaged or stress-whitened.

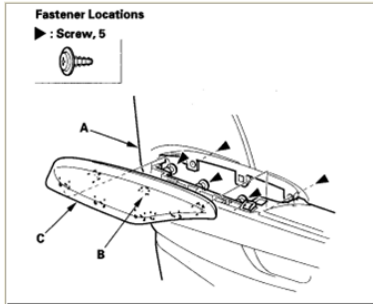
Door Panel Removal Continued:

10. Remove the switch panel (A) from the door panel (B).

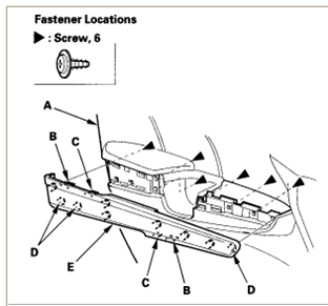
1. Detach the rear clip.
2. Pull out along the edge of the panel to release all of the hooks (C).
3. Pull the switch panel rearward to release the front hook (D).



11. Remove and loosen the screws from back of the door panel (A), and release the hook (B), then remove the armrest (C).

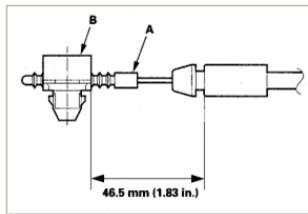


12. Remove the screws from back of the door panel (A), and release the hooks (B, C, D), then remove the ornament panel (E).



13. Install the door panel in the reverse order of removal, and note these items:

- If the clips are damaged or stress-whitened, replace them with new ones.
- Replace any damaged cable fasteners with new ones.
- The latch cable (A) should be fixed to the cable fastener (B) with the latch in the unlocked position as shown.
- Make sure the connectors are plugged in properly, and the cables are connected securely.
- Make sure the window and power door lock operate properly.
- When reinstalling the door panel, make sure the plastic cover is installed properly and sealed around its outside perimeter to seal out water.



**\*\*Reverse procedure for re-installation\*\***



**PROFESSIONAL INSTALLATION RECOMMENDED**

**Warranty does not cover damage to vehicle or mirror housing due to improper installation. Muth Mirror Systems, LLC (MMS) assumes no responsibility with regard to the accuracy of this information. MMS assumes no liability or responsibility resulting from improper installation, even in reliance upon this information. Proper installation is the responsibility of the installer. It is your responsibility to verify any circuit before interfacing with it using a digital multimeter.**

**WARRANTY STATEMENT**

*The Signal® Mirror is warranted to be free from defects in materials and workmanship for a period of three years or 36,000 miles (whichever comes first) from date of sale to original purchaser. This warranty excludes labor, broken glass, or other situations that cause harm to the product after it has been shipped from the factory, such as damage, unreasonable use, modifications, or alterations. In the event of a defect, Muth reserves the right to evaluate the problem through Quality Control and, at Muth's discretion, replace the defective product. Any warranty or replacement part will be charged to the customer when shipped. Credit will be given when the defective part is returned to and received by Muth, and the replacement is warranted.*

**Muth products are protected by these, and other pending, United States Patents:**

6,076,948; 6,257,746; 7,104,676; 7,327,321; 6,749,325; 7,241,037; 7,192,172; 7,273,307;  
7,416,318; 6,045,243; D394,833; D409,540; D428,373; D426,506; D430,088; D426,507;  
D428,372; D429,202; D428,842; D425,466; D427,128