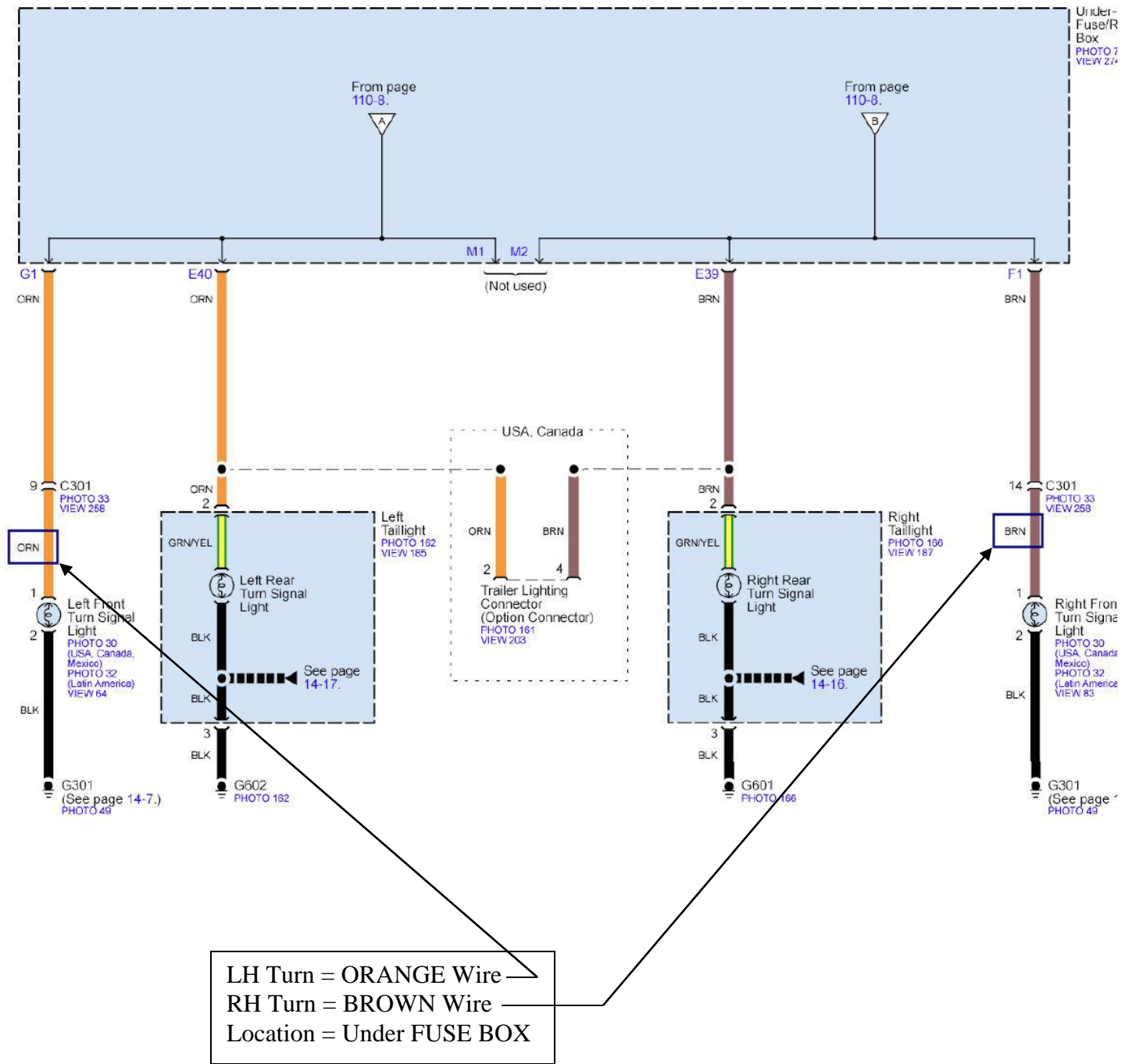


Wiring Diagram:



DOOR PANEL: REMOVAL

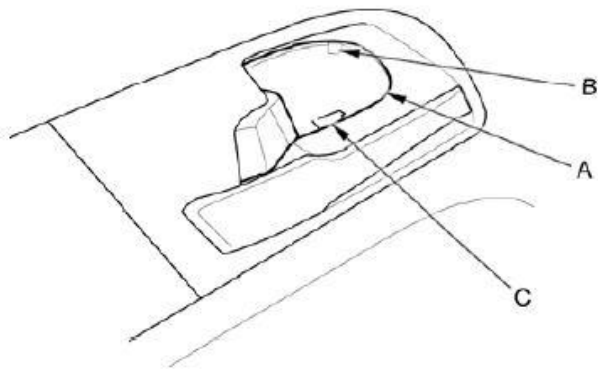
Special Tools Required

- ▶ KTC Trim Tool Set SOJATP2014
- ▶ Trim Pad Remover Snap-on A 177A or equivalent, commercially available
*Available through the Honda Tool and Equipment Program; 888-424-6857

NOTE:

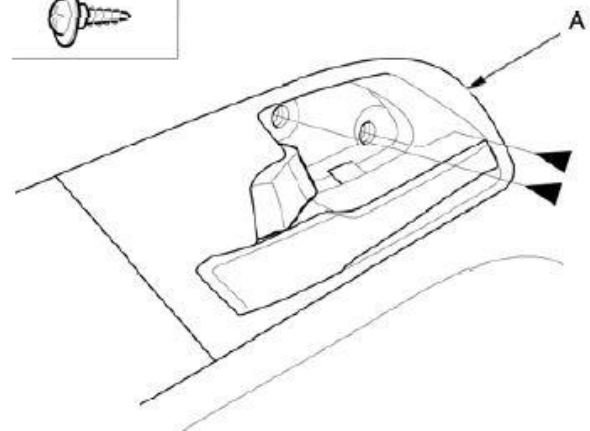
- Use the appropriate tool from the KTC trim tool set to avoid damage when removing components.
- Take care not to scratch the door or the related parts.

1. Raise the glass fully.
2. Pry out on the under portion of the inner handle cap (A) with the appropriate trim tool to release the hooks (B, C).



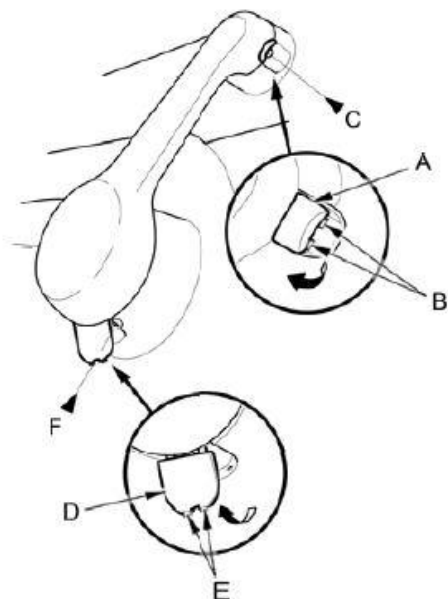
Fastener Locations

▶ : Screw, 2



3. Remove the screws securing the inner handle (A).

4. Pry out on the upper cap (A) of the front door grip with the appropriate trim tool to release the hooks (B). Then remove the screw (C).



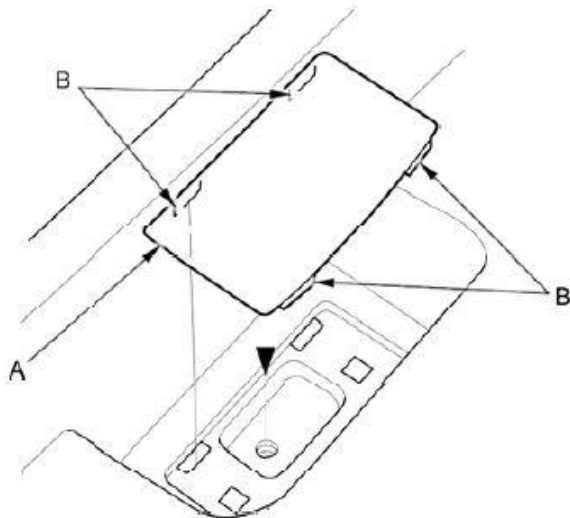
Fastener Locations

C ▶ : Screw, 1 F ▶ : Screw, 1



5. Pry out on the lower cap (D) of the front door grip with the appropriate trim tool to release the hooks (E). Then remove the screw (F).

6. Pry out on the cover (A) in the door pocket with the appropriate trim tool to release the hooks (B). Then remove the cover and the screw.



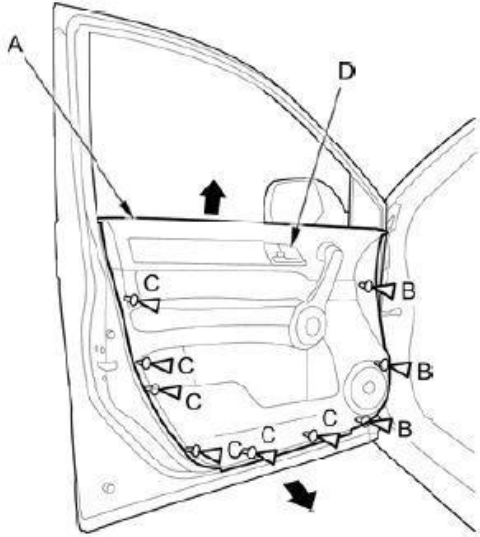
Fastener Location

▶ : Screw, 1



7. [Remove the mirror mount cover.](#)

8. Remove the door panel (A) with as little bending as possible to avoid creasing or breaking it.
1. Start at the bottom edge of the door panel, detach the clips with a commercially available trim pad remover.
 1. Detach the clips (B, C).
 1. Starting at the rear, pull the door panel upward.
- NOTE: The inner handle cable and the latch cable are connected to the inner handle (D). Do not pull the door panel up too far, or these cables will be damaged.



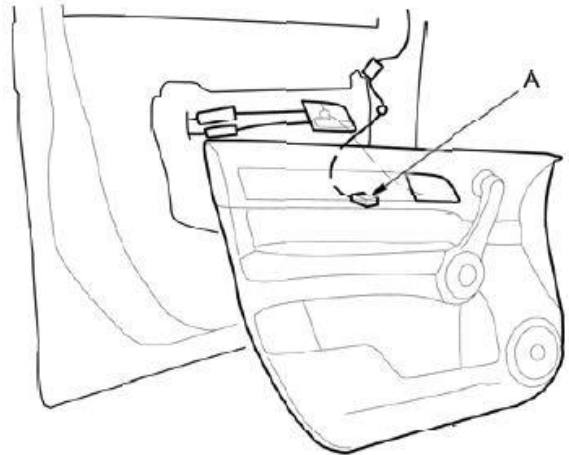
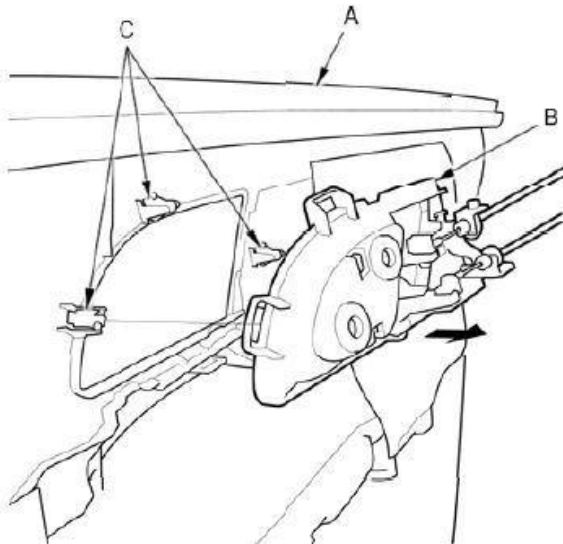
Fastener Locations

B ▷ : Clip, 3 (Gray)

C ▷ : Clip, 6 (White)



9. While holding the door panel (A) away from the door, remove the inner handle (B) from the door panel by detaching the clips (C). Remove the door panel.

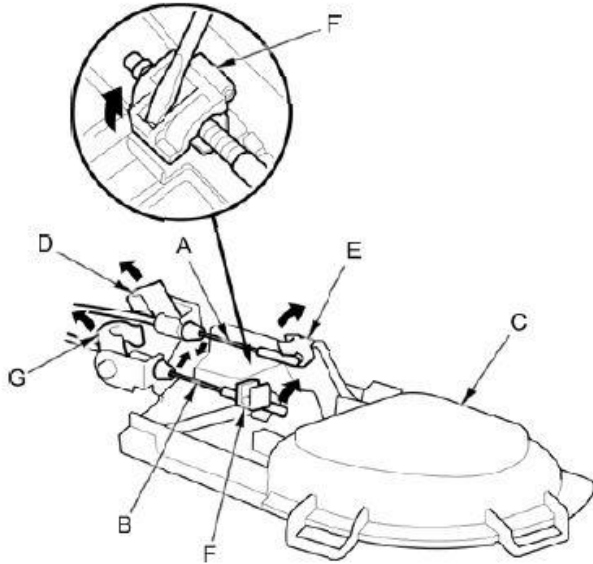


10. Disconnect the power window switch connector (A).
- NOTE: If you are only removing the door panel, go to step [12](#). If you are doing further disassembly of the door panel, continue to step [11](#).

Inner handle removal

11. Disconnect the inner handle cable (A) and the latch cable (B) from the inner handle (C), then remove the inner handle.
 1. Release the inner handle cable fastener (D), then disconnect the inner handle cable from the cable fastener (E).
 1. Release the latch cable fastener (F) with a flat-tip screwdriver, then disconnect the latch cable from the cable fastener (G).

NOTE: If the cable fasteners are damaged or stress-whitened, replace them with new ones.

**DOOR PANEL: RE-INSTALLATION**

12. Install the door panel in the reverse order of removal, and note these items:
 - If the clips are damaged or stress-whitened, replace them with new ones.
 - The latch cable (A) should be fixed to the cable fastener (B) with the latch in unlock position as shown.
 - Make sure the power window switch connector is plugged in properly, and each cable is connected securely.
 - Make sure the power windows and the power door locks operate properly.
 - When reinstalling the door panel, make sure the plastic cover is installed properly and sealed around its outside perimeter to seal out water.
 - [Do the power window control unit resetting procedure.](#)
 - Push the clips and the hooks into place securely.
 - Replace any damaged cable fasteners with new ones.
 - If the inner door handle cable end is damaged or stress-whitened, replace it with a new one.

