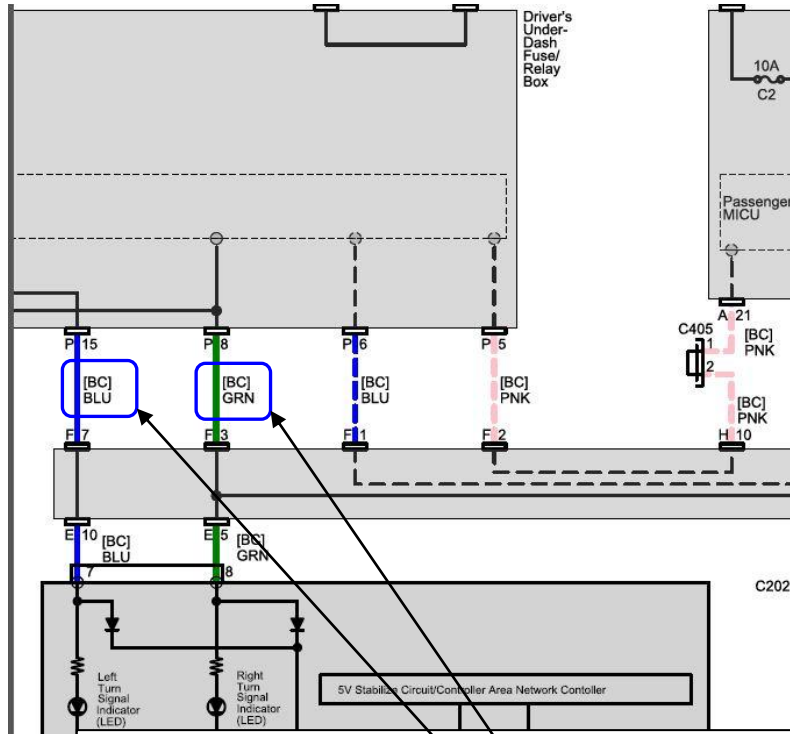
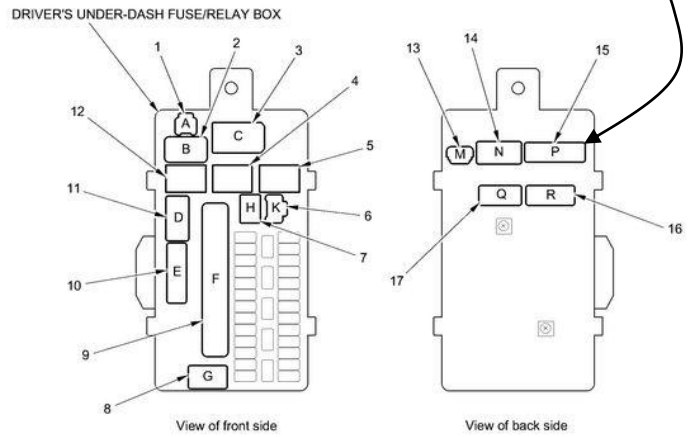
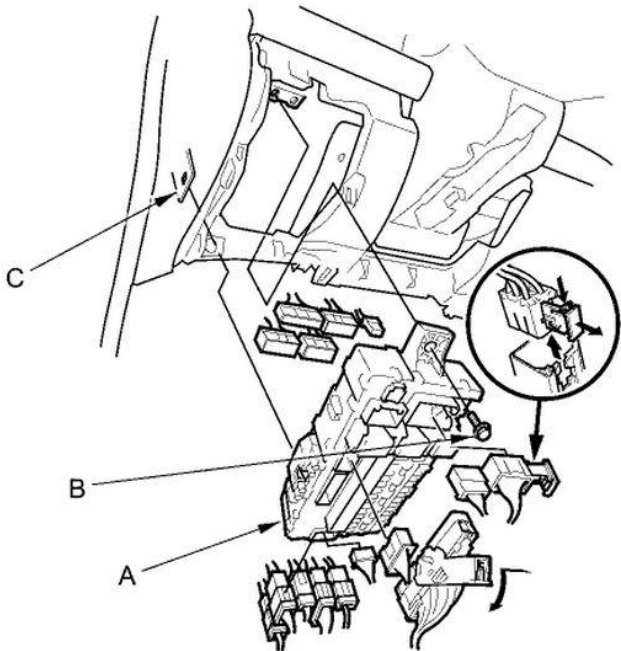


Wiring Diagram:



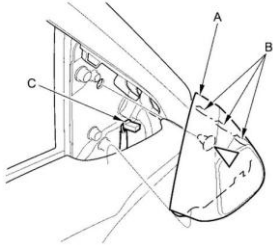
LH Turn = Blue Wire
 RH Turn = Green Wire
 Location = Driver's Side Under-Dash FUSE/RELAY BOX, Connector 'P'



DOOR PANEL: REMOVAL

Fastener Location

□ : Clip, 1

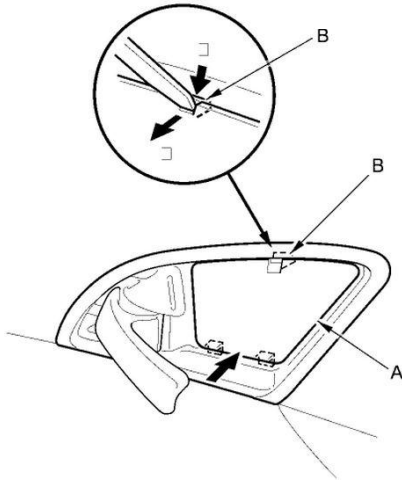


NOTE:

- Take care not to scratch the door or the related parts.
- Use the appropriate tool from the KTC trim tool set to avoid damage when removing components.
- When prying with a flat-tip screwdriver, wrap it with protective tape to prevent damage.

1. Lower the door glass fully.
2. Remove the tweeter cover (A).

1. With your hand, carefully pull out the top edge of the tweeter cover to release the hooks (B), and detach the clip.
2. Disconnect the tweeter connector (C).

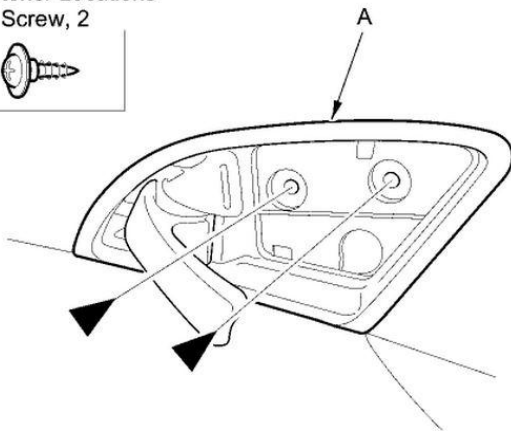


3. Raise the glass fully.

4. Push on the bottom of the inner handle cap (A) while pushing on the upper hook (B) with the appropriate trim tool, then pull back the cap to remove it.

Fastener Locations

□ : Screw, 2

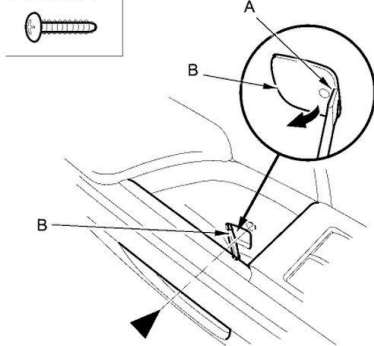


5. Remove the screws securing the inner handle (A).

DOOR PANEL: REMOVAL

Fastener Location

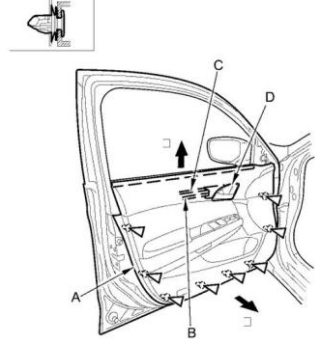
□ : Screw, 1



6. Pry up the notch (A) of the lid (B) with a flat-tip screwdriver, and pull back the lid, then remove the screw.

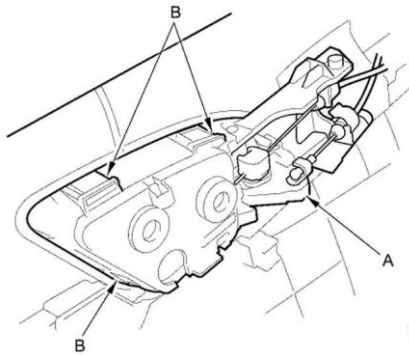
Fastener Locations

□ : Clip, 8

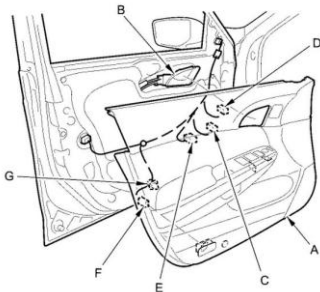


7. Remove the door panel (A) with as little bending as possible to avoid creasing or breaking it.
1. Start at the bottom edge of the door panel, detach the clips with a commercially available trim pad remover.
2. Starting at the rear, pull the door panel upward.

NOTE: The inner handle cable (B) and the latch cable (C) are connected to the inner handle (D). Do not pull the door panel up too far, or these cables will be damaged.



8. While holding the door panel away from the door, remove the inner handle (A) from the door panel by releasing the hooks (B).



9. Remove the door panel (A).
1. While holding the door panel, pulling out the inner handle (B) through the hole in the door panel.
2. Driver's door: While holding the door panel away from the door, disconnect the power mirror switch connector (C), the driving position memory switch connector (D) (for some models).
3. While holding the door panel away from the door, disconnect the power window switch connector (E), and the courtesy light bulb socket (F), and detach the harness clip (G).

Reverse above procedure for door panel re-installation