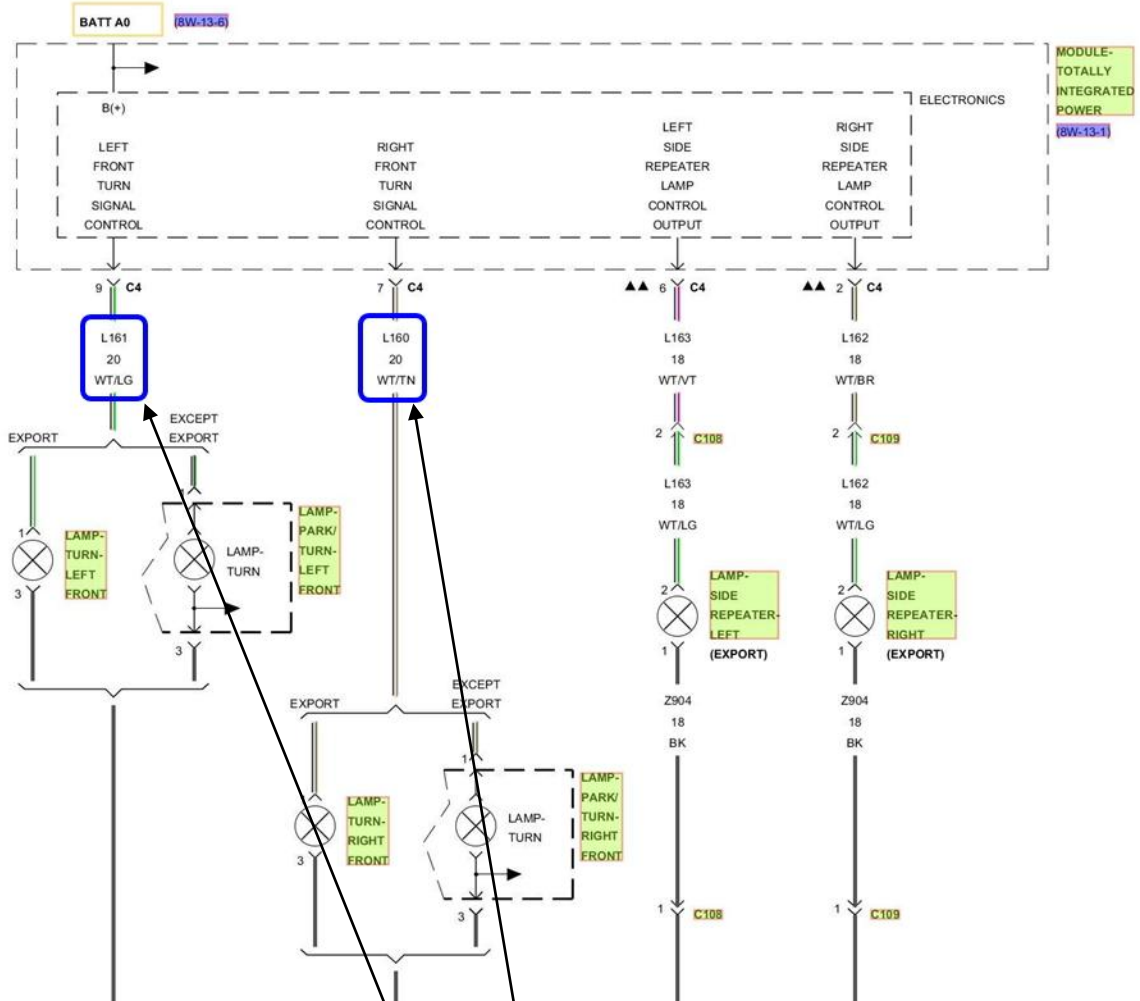


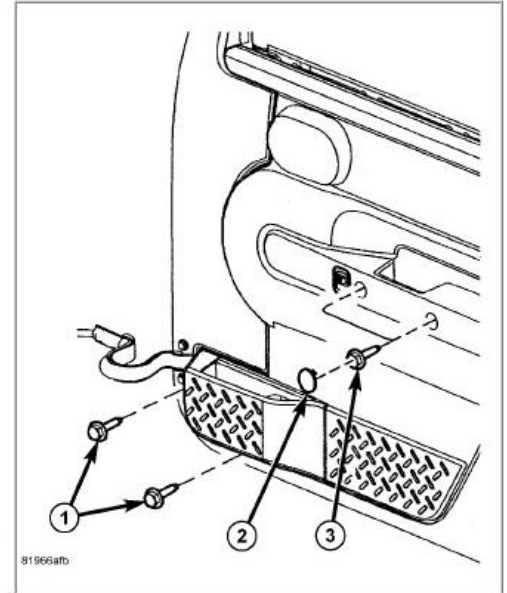
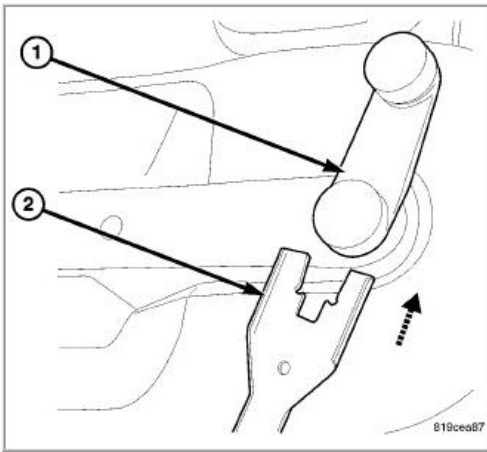
### Wiring Diagram



LH = White w/ Light Green wire  
 RH = White w/ Tan wire  
 Location: Totally Integrated Power Module (TIPM)

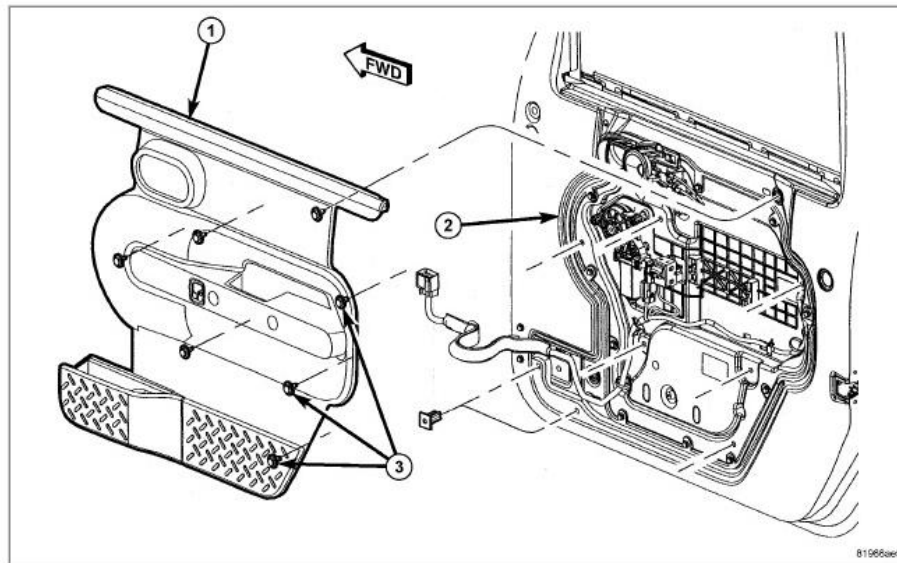
**Door Panel Removal – Procedures**

**REMOVAL**



1. Using a standard window handle tool (2), release the handle clips and remove the handle (1) from the window lift mechanism, if equipped with a manual regulator.

2. Remove the pull handle trim plugs (2) and remove the pull handle screws (3).
3. Remove the screws (1), if equipped.



**NOTE: Full front door shown, rear door similar.**

4. Using a trim stick C-4829A or equivalent, starting at the bottom by the check strap, separate the push pin fasteners (3) and remove the [trim panel](#) (1).

**DOOR PANEL INSTALLATION PROCEDURE**  
Reversed the steps above