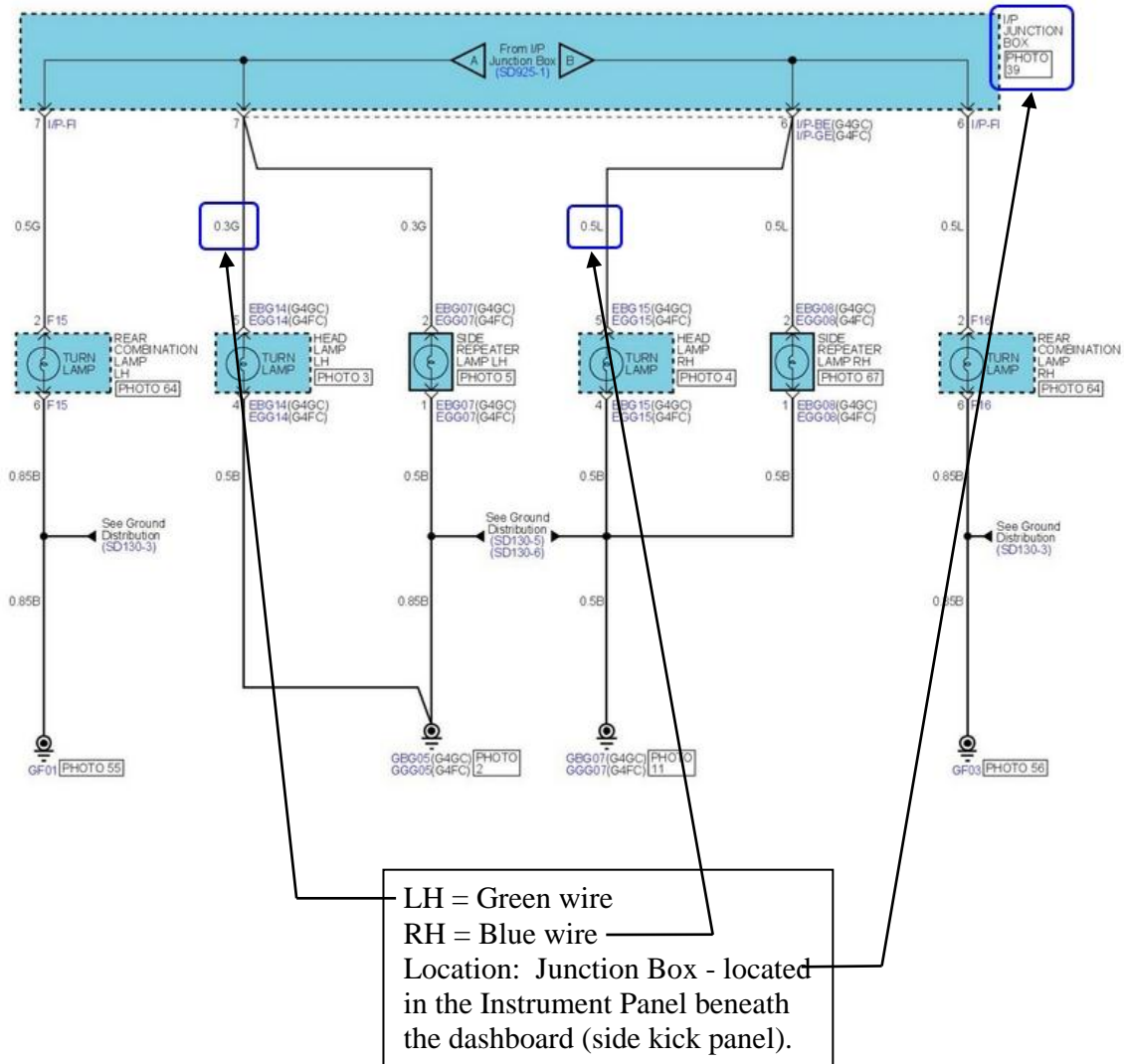


LEFT TURN & RIGHT TURN SIGNALS – WIRING IDENTIFICATION & LOCATION



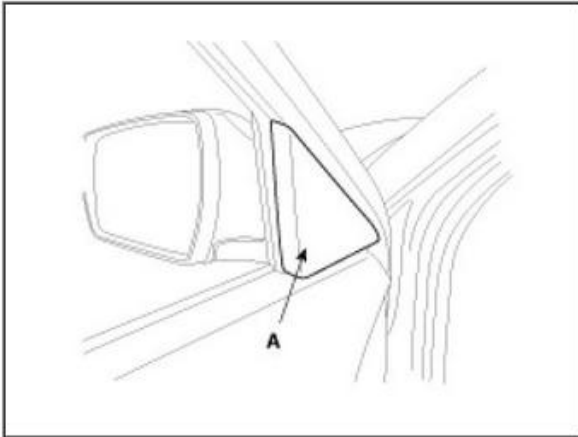
Door Trim Replacement

DOOR PANEL*Removal & Re-Installation Procedures*

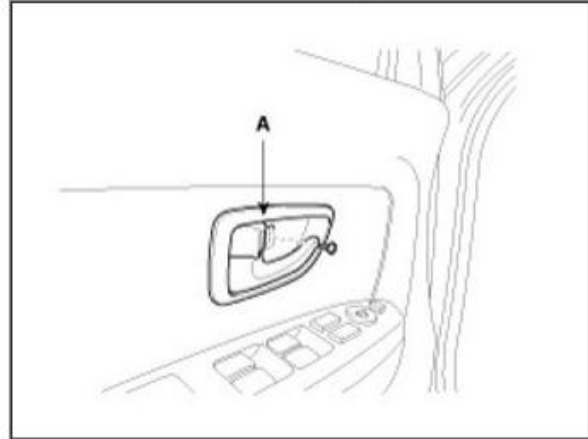
NOTE:

- Take care not to scratch the door trim and other parts.
- Put on gloves to protect your hands.

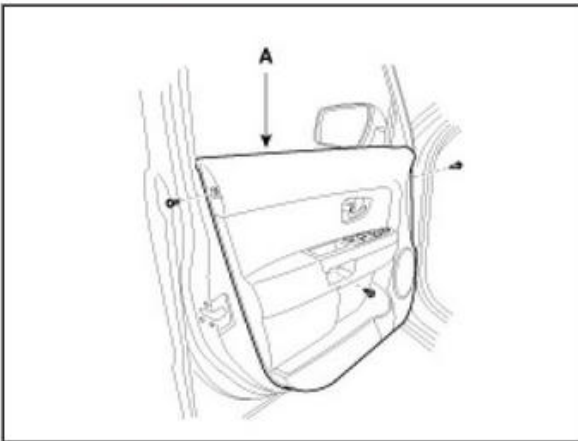
1. Remove the quadrant inner cover (A).



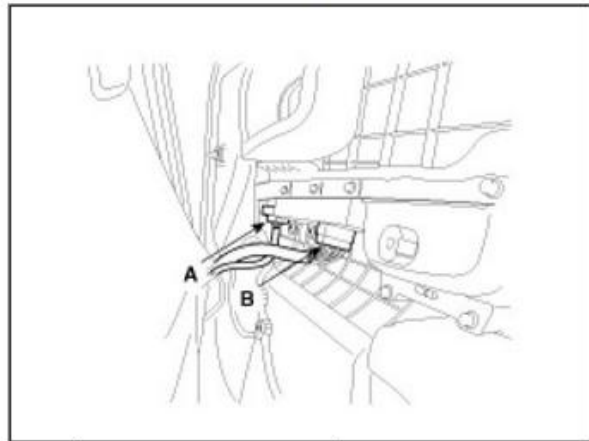
2. Remove the inside handle cover (A).



3. Loosen the door trim (A) mounting screws.
4. Release the clips that hold the door trim.



5. Disconnect the connectors (A) and (B).



6. Installation is the reverse of removal.