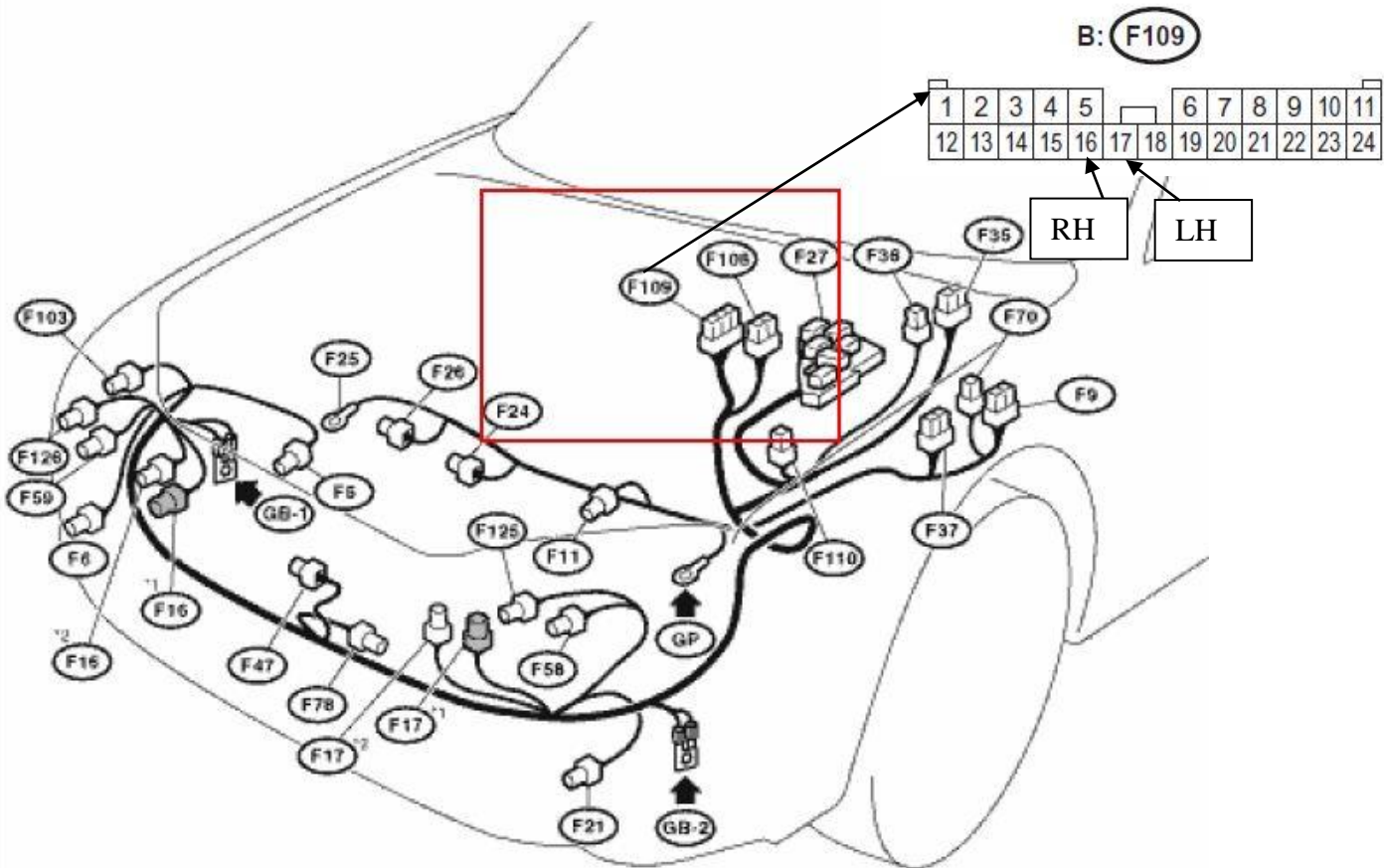
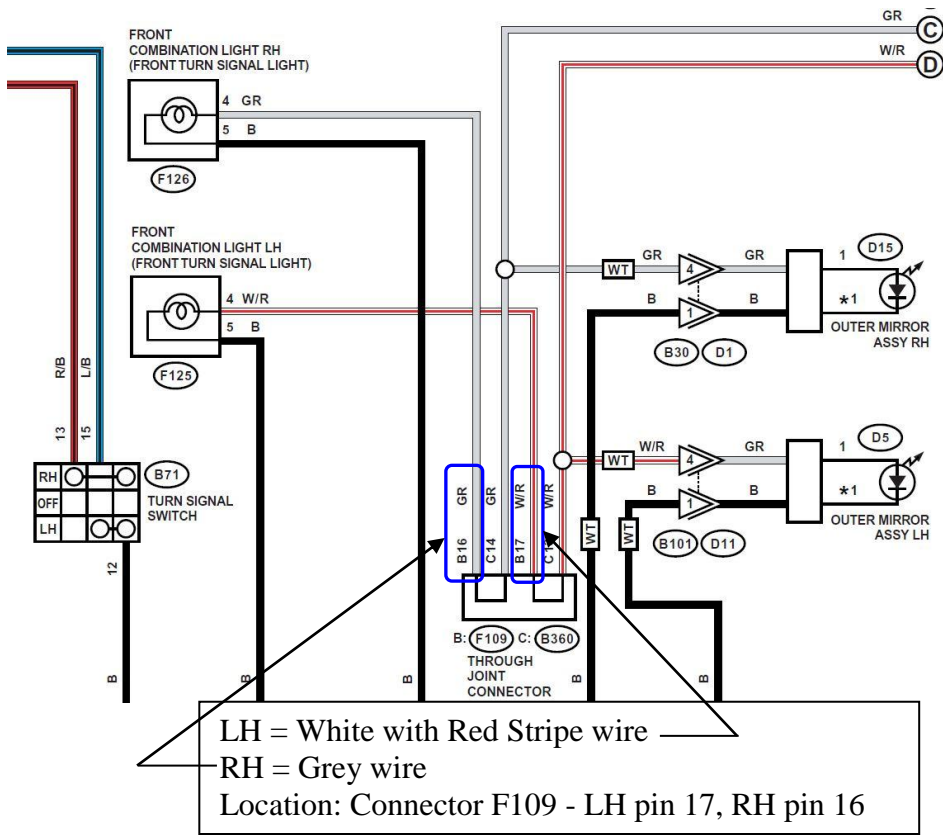


Wiring:

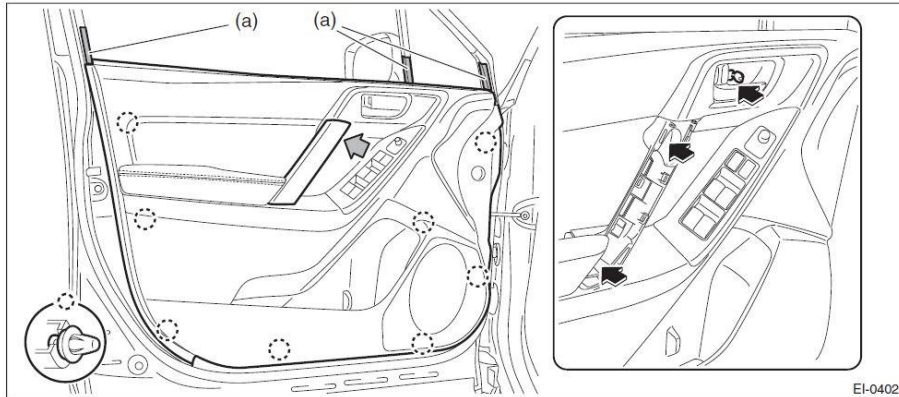


Door Panel removal:

A: REMOVAL

1. FRONT DOOR

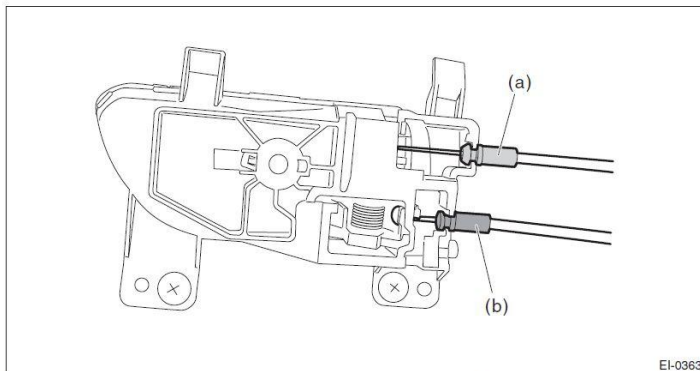
- 1) Disconnect the ground cable from battery.
- 2) Remove the trim panel - front door.
 - (1) Attach the protective tape (a).
 - (2) Remove the cover - door handle by using a plastic remover.
 - (3) Remove the screws and clips, and remove the trim panel - front door from the panel assembly - front door.



NOTE:

It is easier to remove the cover - door handle if the removal is performed from the gray arrow section.

- (4) Detach the door lock cable (a) and door open cable (b) from the remote assembly - door.



- (5) Disconnect the harness connector and remove the trim panel - front door.

CAUTION:

Pulling the door trim excessively may damage the harness.

EXTERIOR/INTERIOR TRIM

- 3) Remove each part as required.
 - Remote assembly - door: <Ref. to SL-33, REMOVAL, Front Inner Remote.>
 - Switch - power window main: <Ref. to GW-11, MAIN SWITCH, REMOVAL, Power Window Control Switch.>
 - Weather strip - door INN: <Ref. to EI-57, DISASSEMBLY, Door Trim.>

****Reverse above procedure for door panel reinstallation****